

© copyright V.I.M.E. srl

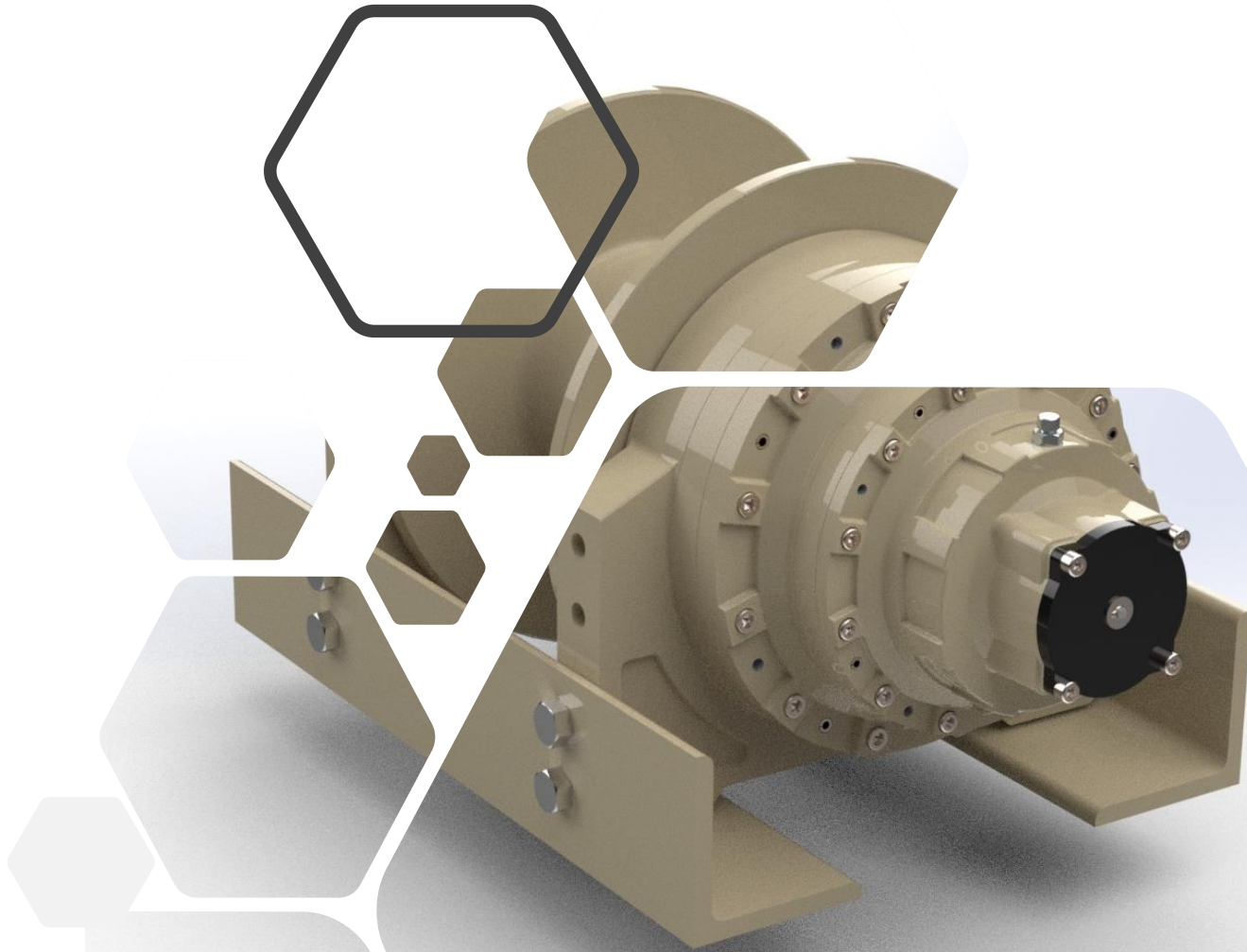
## EPHC FN SINGLE SPEED EPHC FNX2 DOUBLE SPEED

- EPHC 20000FN
- EPHC 22500FN
- EPHC 25000FN
- EPHC 20000FNX2
- EPHC 22500FNX2
- EPHC 25000FNX2

Hydraulic planetary winches with spring applied multi-discs pressure released brake

**Note:** *winch is delivered black painted.*

*In this presentation the winch is shown sand colored to emphasize its features only.*



# EPHC FN UNVEILING

Vime Industrial is proud to announce the new hydraulic planetary winches family:

- ❑ EPHC 20000FN Pulling capacity 20.000 Kgs. [44,092 Lbs.]
- ❑ EPHC 22500FN Pulling capacity 22.500 Kgs. [49,604 Lbs.]
- ❑ EPHC 22500FN Pulling capacity 25.000 Kgs. [55,116 Lbs.]

designed and engineered for applications where narrow winches are requested, will bring you the best in performance, reliability and versatility.

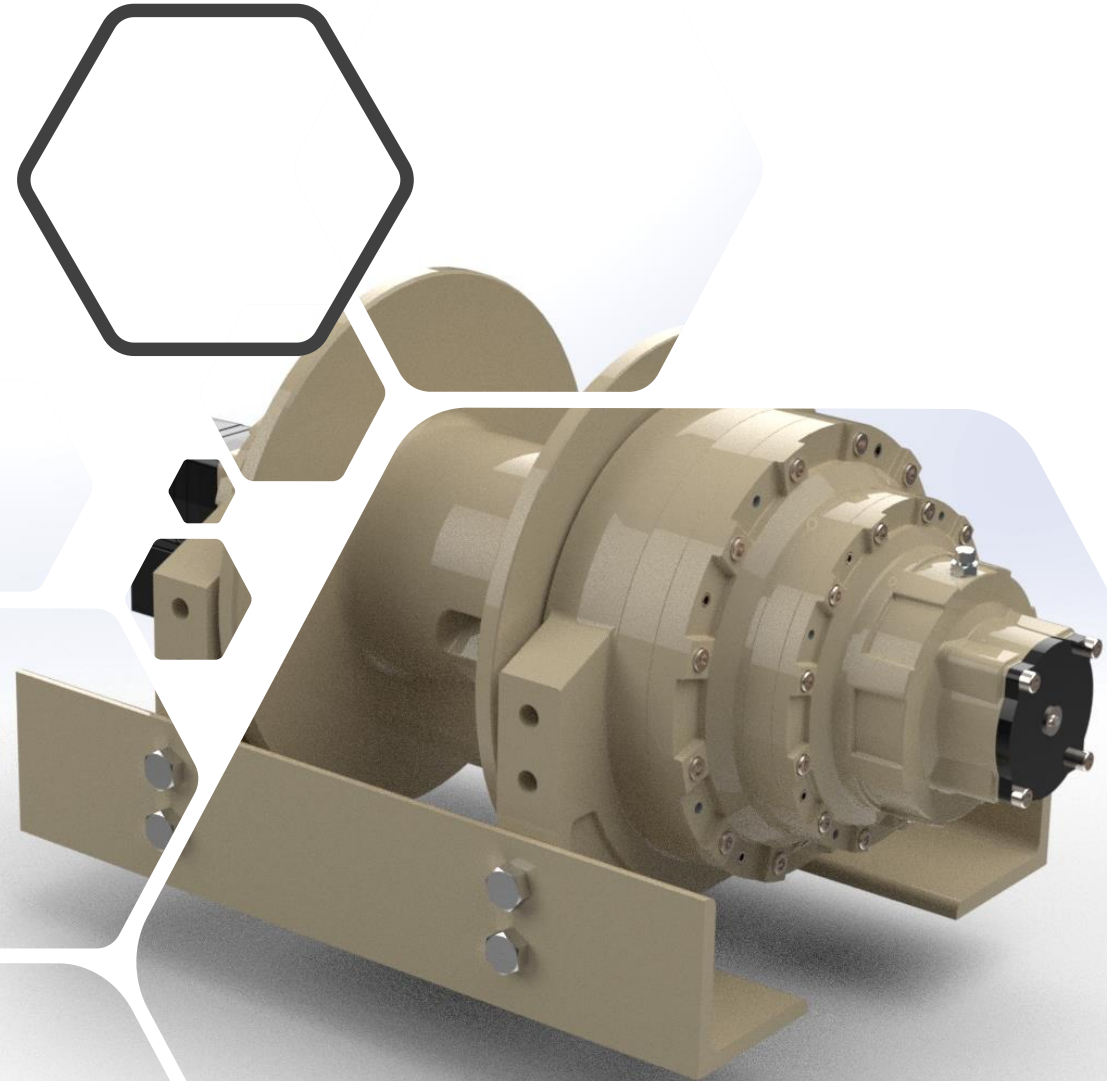
A shorter drum with large lateral flanges reduces the winch overall dimensions without compromising its rope capacity.

New drum with larger drum barrel to reduce rope wear.

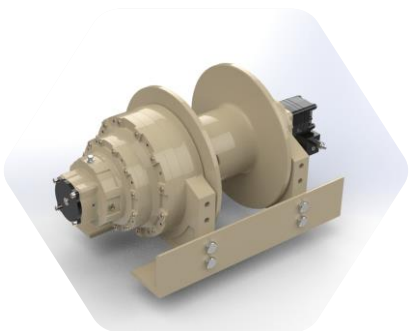
**INNOVATIONS ARE NOT OVER**

**DOUBLE SPEED OPTION AVAILABLE**

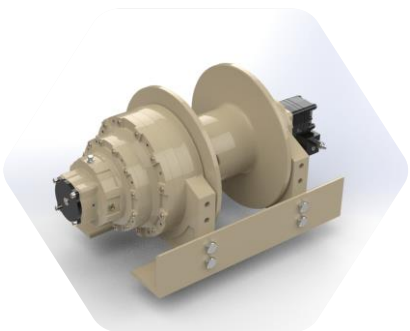
***NEW VIME'S DOUBLE SPEED SYSTEM AS AMAZING ADD-ON***



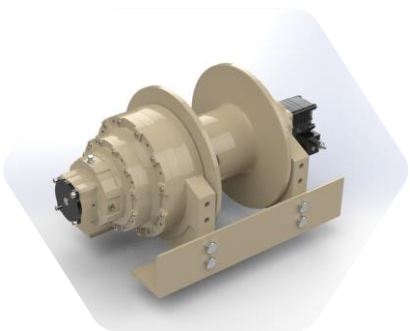
# EPHC FN SINGLE SPEED LINE UP



Model EPHC 20000FN drum width 256 mm [10,1 in]  
Pulling capacity 1<sup>st</sup> layer 20.000 Kgs. [44.092 Lbs.]



Model EPHC 22500FN drum width 256 mm [10,1 in]  
Pulling capacity 1<sup>st</sup> layer 22.500 Kgs. [49.604 Lbs.]

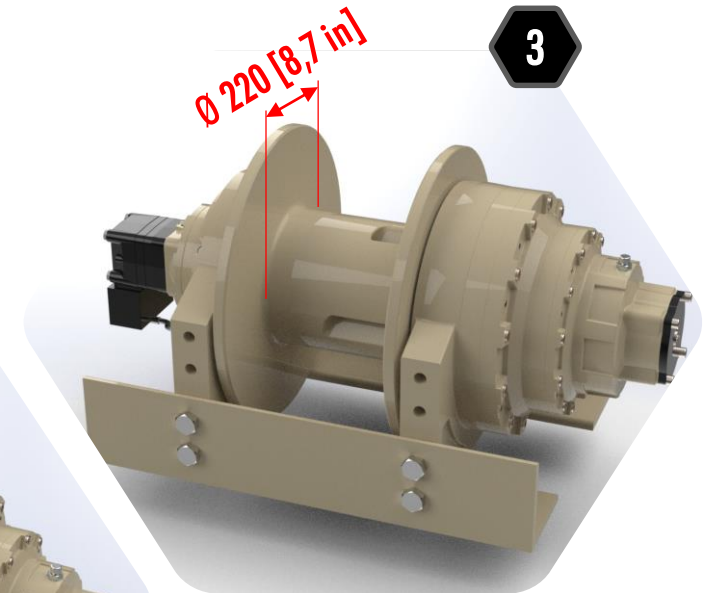
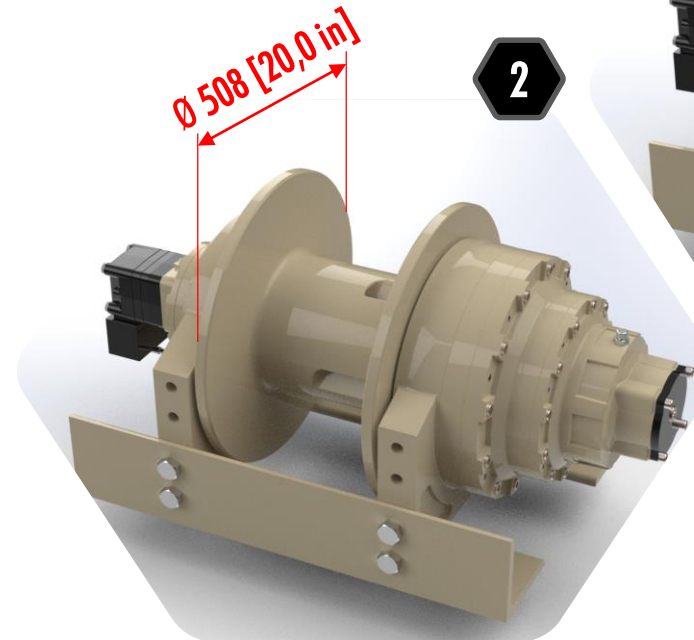
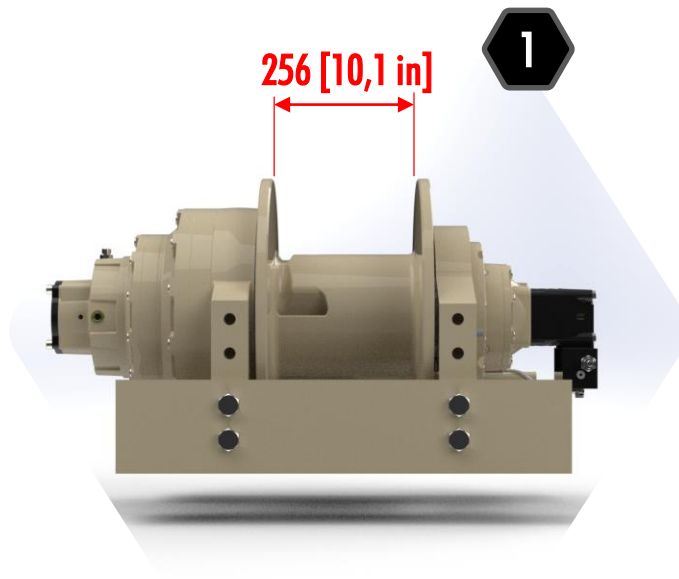


Model EPHC 25000FN drum width 256 mm [10,1 in]  
Pulling capacity 1<sup>st</sup> layer 25.000 Kgs. [55.116 Lbs.]

# EPHC FN SHORT DRUM

Greater drum flanges diameter for good wire rope capacity

1. Shorter drum 256 mm [10,1 in]
2. Greater drum flanges  $\varnothing$  508 mm [20,0 in]
3. Larger drum barrel  $\varnothing$  220 mm [8,7 in]



# EPHC FN OVERALL DIMENSIONS

1. Shorter drum 256 mm [10,1 in]
2. Greater drum flanges dia. 508 mm [20,0 in]
3. Larger drum barrel dia. 220 mm [8,7 in]

## Winch overall dimensions reduced

966 mm [38,0 in] EPHC 20000FN - EPHC 22500FN

972 mm [38,3 in] EPHC 25000FN

## Good rope capacity

Max. wire rope capacity (EN 14492-1)

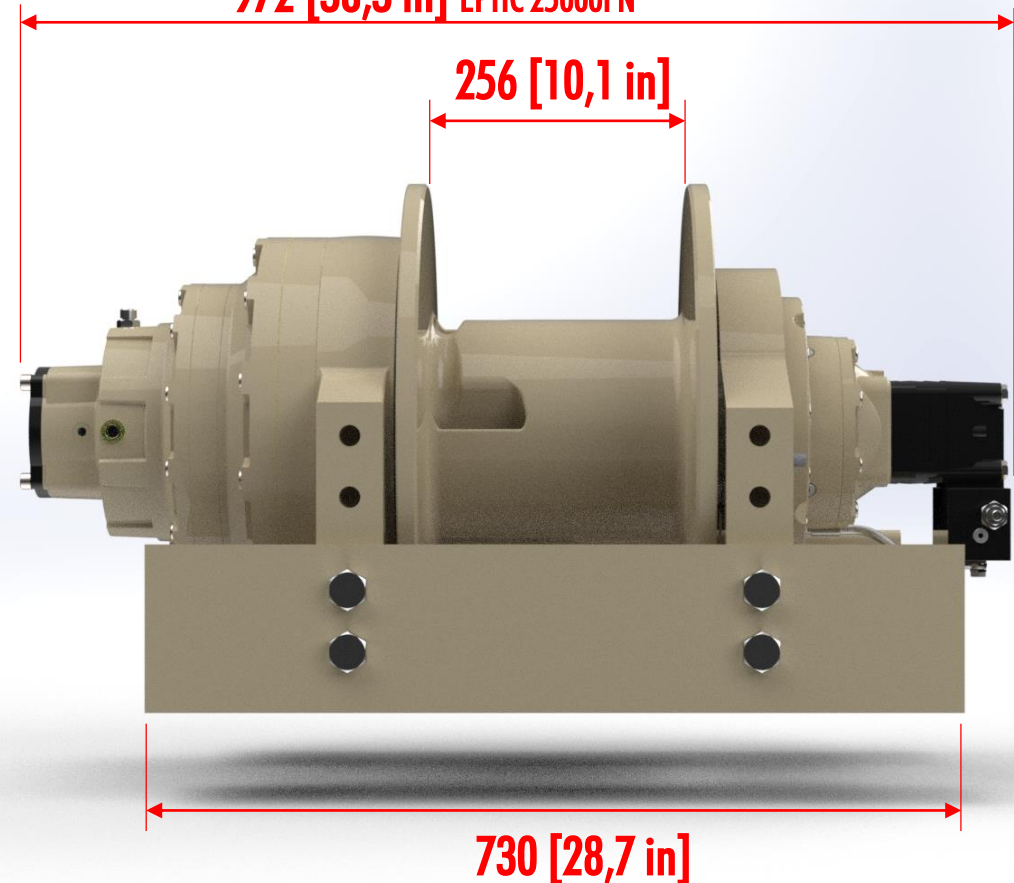
52 M. [171 Ft.] dia. 22 mm [7/8"]

50 M. [164 Ft.] dia. 24 mm [0,94"]

Standard base mounting angles 730 mm [28,7 in]

966 [38,0 in] EPHC 20000FN – EPHC 22500FN

972 [38,3 in] EPHC 25000FN



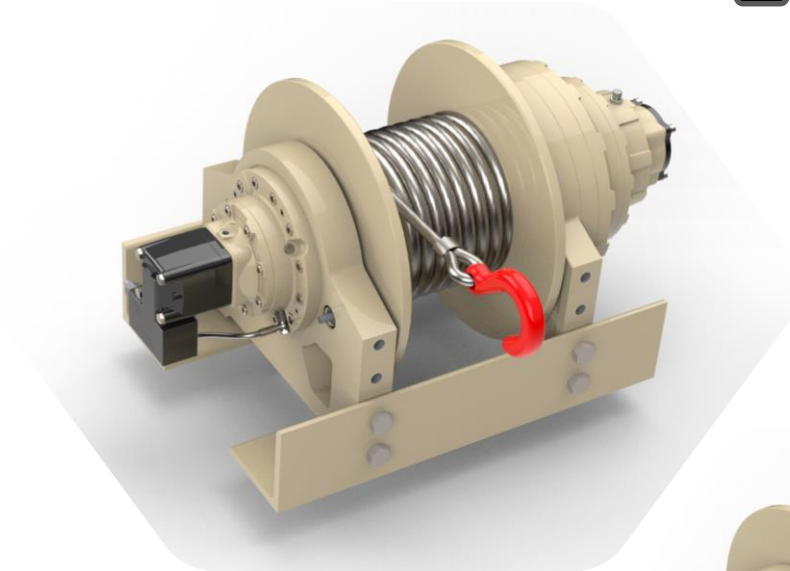
# WINCH BASE MOUNTING ANGLES OPTIONS

1. Rope over drum winding

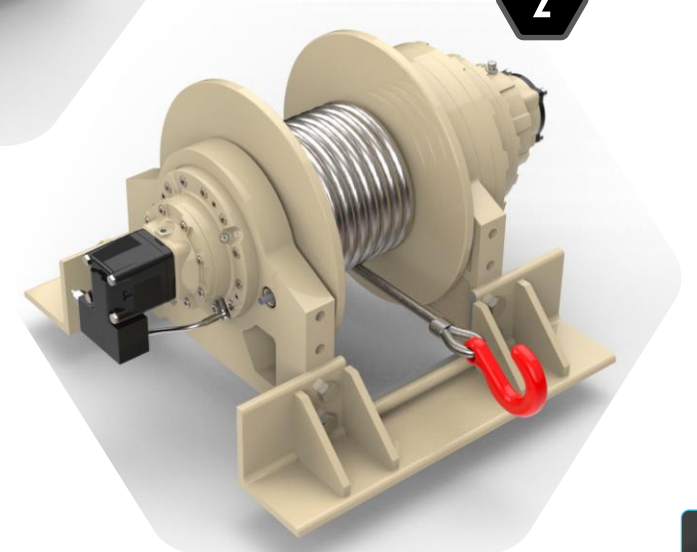
2. Rope under drum winding

Winch available with two different standard base mounting angles options, according to the rope winding

1



2



# MODELS AND TECHNICAL DATA

## SINGLE SPEED

Winch Model	Pulling capacity Kgs. [Lbs.]	Hydraulic motor CC [Cu.In.]	Drum barrel dia. MM [In.]	Drum width MM [In.]	Working pressure Bar [PSI]	Speed line bottom layer M./Min. [In./Ft.]	Speed line top layer M./Min. [In./Ft.]	Wire rope diameter EN 14492-1 MM [In.]	Max. wire rope length EN 14492-1 M. (Ft.)
EPHC 20000FN	20.000 [44,092]	125 [7,6]	220 [8,7]	256 [10,1]	195 [2,828]	5,0 [16,4]	9,0 [29,5]	22 [- -] 24 [- -]	52 [171,0] 50 [164,0]
EPHC 22500FN	22.500 [49,604]	125 [7,6]	220 [8,7]	256 [10,1]	210 [3,046]	5,0 [16,4]	9,0 [29,5]	22 [- -] 24 [- -]	52 [171,0] 50 [164,0]
EPHC 25000FN	25.000 [55,116]	160 [9,8]	220 [8,7]	256 [10,1]	195 [2,828]	4,0 [13,1]	7,2 [23,6]	22 [- -] 24 [- -]	52 [171,0] 50 [164,0]

**Note:** standard base mounting angles 730 mm [28,7 In.]



**Double speed system**  
*a new amazing add-on*

© copyright V.I.M.E. srl

All the projects of our devices and products are covered and protected by copyright V.I.M.E.

Beware of imitations and/or distributors or dealers not authorized, V.I.M.E. devices and products are exclusively conceived, projected, produced and assembled by V.I.M.E. in Italy.

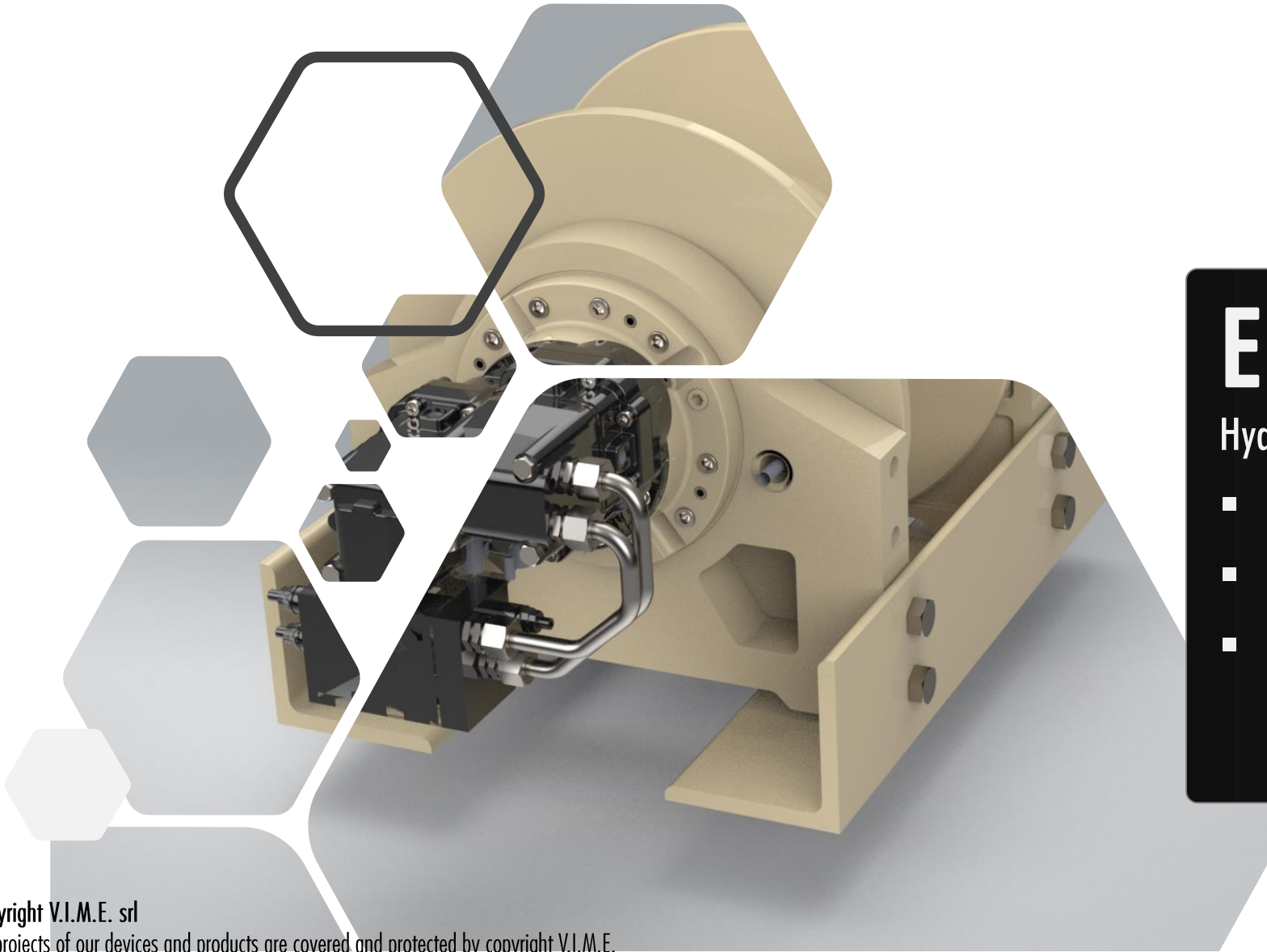
V.I.M.E. srl via Gramsci,15 40050 Funo (Bologna) - Italy

Tel. +39 051861362 Fax +39 051861961

Web: [www.vimeindustrial.it](http://www.vimeindustrial.it) E-mail: [info@vimeindustrial.it](mailto:info@vimeindustrial.it)

Web: [www.vimeindustrial.com](http://www.vimeindustrial.com) E-mail : [info@vimeindustrial.com](mailto:info@vimeindustrial.com)





## EPHC FNX2

Hydraulic planetary winches double speed:

- EPHC 20000FNX2
- EPHC 22500FNX2
- EPHC 25000FNX2

# DOUBLE SPEED

Two hydraulic motors pair-operated with a special gear reducer and controlled by a special Over-centre valve, allow to get a faster speed line when needed.

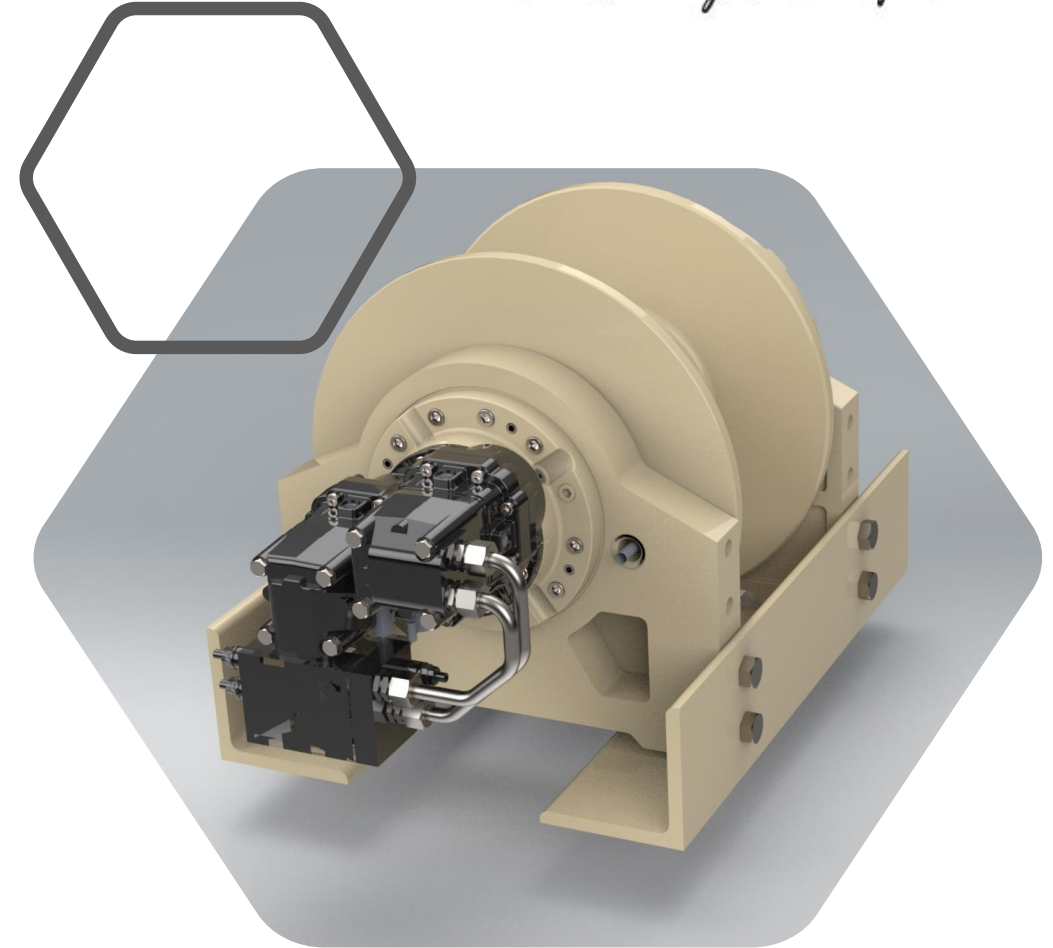
This two speed system works in pulling direction only and provides best speed line according to the load, in order to keep rope well tensioned during the entire pulling.

## BECOMES FASTER WHEN NEEDED

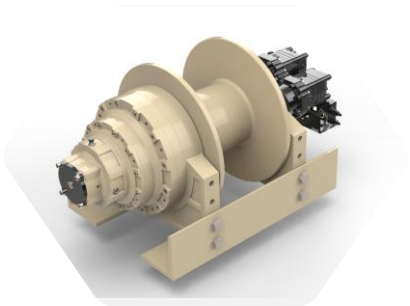
The system is automatically controlled by the winch working pressure, the winch operator do not have to control the winch speed line.

**A light load**, generates a low working pressure and a single hydraulic motor [HM1] will run the winch pulling doubling speed line.

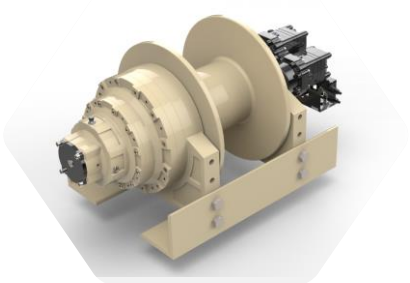
**An heavy load**, generates an high working pressure and two hydraulic motors [HM1 + HM2] will run the winch pulling at the half speed line.



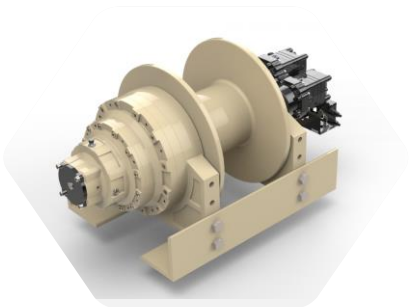
# EPHC FNX2 DOUBLE SPEED LINE UP



Model EPHC 20000FNX2 drum width 256 mm [10,1 in]  
Pulling capacity 1<sup>st</sup> layer 20.000 Kgs. [44.092 Lbs.]



Model EPHC 22500FNX2 drum width 256 mm [10,1 in]  
Pulling capacity 1<sup>st</sup> layer 22.500 Kgs. [49.604 Lbs.]



Model EPHC 25000FNX2 drum width 256 mm [10,1 in]  
Pulling capacity 1<sup>st</sup> layer 25.000 Kgs. [55.116 Lbs.]

# DRUM SPEED LINE

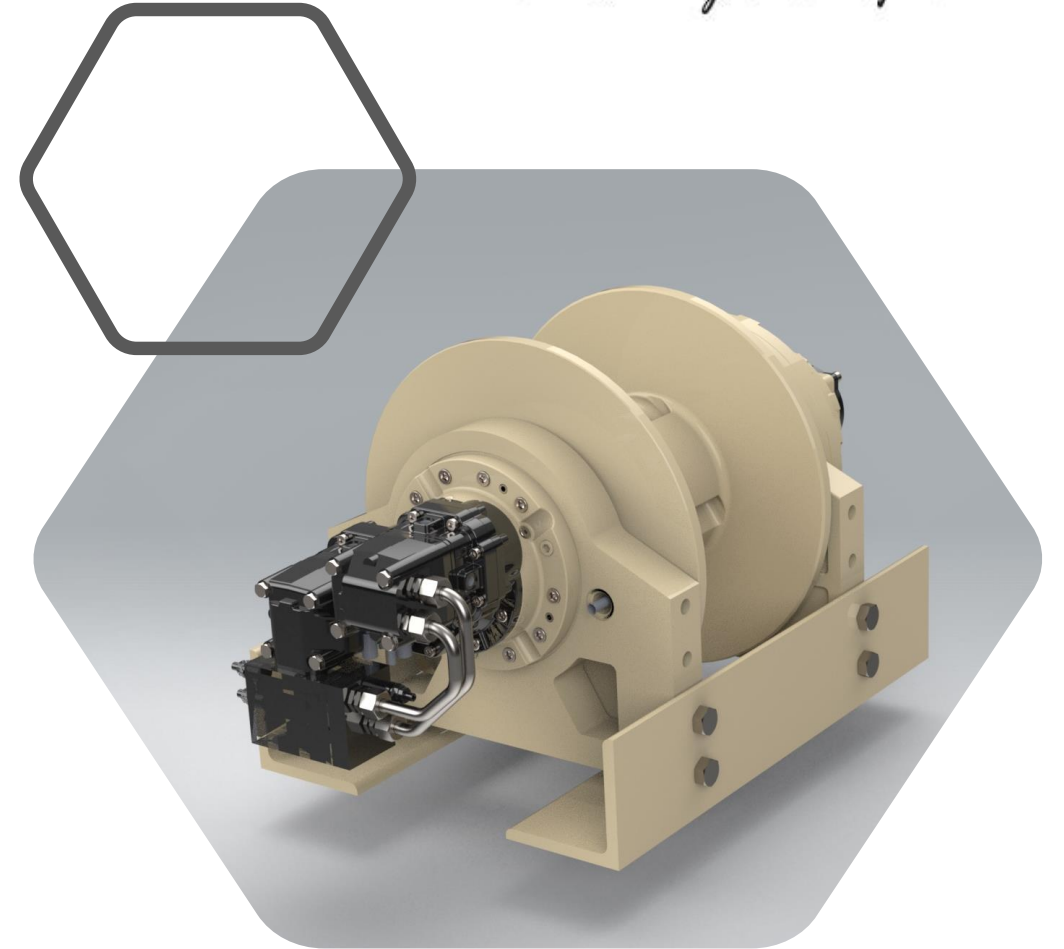
ONE MOTOR [HM1]

TWO MOTORS [HM1 + HM2]

HM1 = ONE hydraulic motor

HM1 + HM2 = TWO hydraulic motors

Winch Model	Pulling capacity Kgs. [Lbs.]	Hydraulic motor [M]	Speed line	Speed line bottom layer M./Min. [In./Ft.]	Speed line top layer M./Min. [In./Ft.]
EPHC 20000FNX2	20.000 [44,092]	ONE MOTOR [HM1]	FAST	10,7 [35,1]	18,4 [60,4]
		TWO MOTORS [HM1 + HM2]	SLOW	5,0 [16,4]	9,0 [29,5]
EPHC 22500FNX2	22.500 [49,604]	ONE MOTOR [HM1]	FAST	9,0 [29,5]	16,1 [52,8]
		TWO MOTORS [HM1 + HM2]	SLOW	4,5 [15,0]	8,1 [26,6]
EPHC 25000FNX2	25.000 [55,116]	ONE MOTOR [HM1]	FAST	9,0 [29,5]	16,1 [52,8]
		TWO MOTORS [HM1 + HM2]	SLOW	4,5 [15,0]	8,1 [26,6]



© copyright V.I.M.E. srl

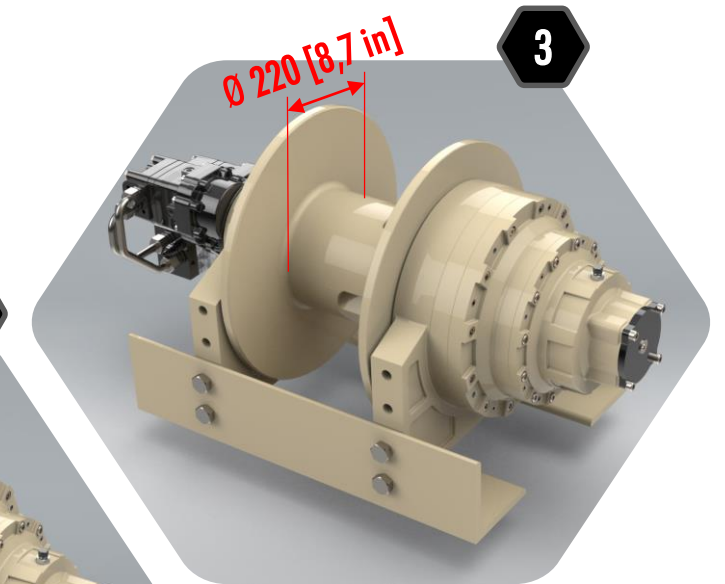
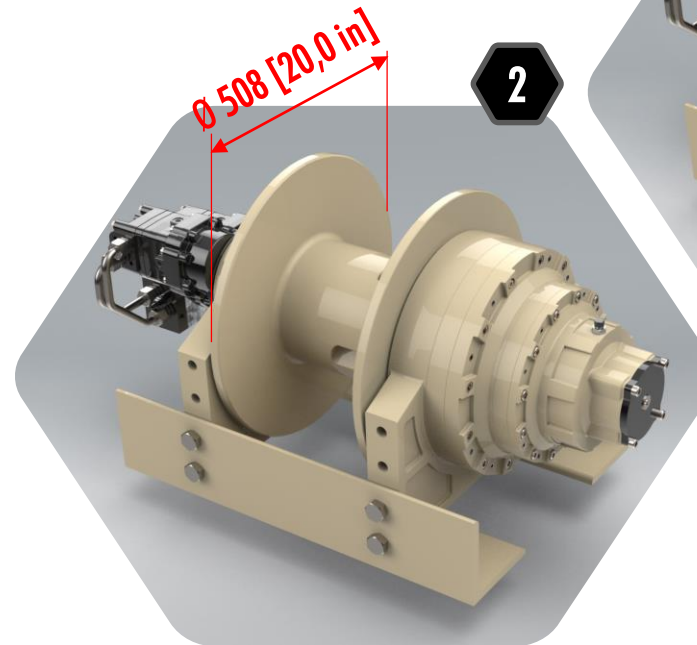
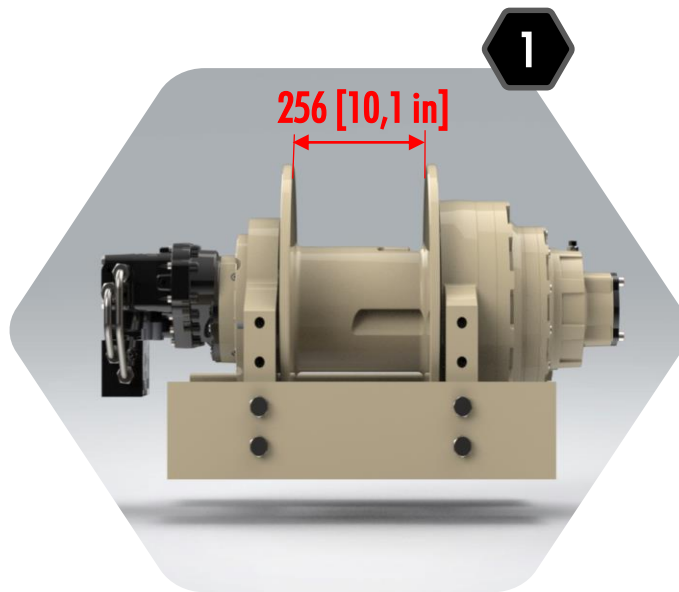
All the projects of our devices and products are covered and protected by copyright V.I.M.E.

Beware of imitations and/or distributors or dealers not authorized, V.I.M.E. devices and products are exclusively conceived, projected, produced and assembled by V.I.M.E. in Italy.

# EPHC FNX2 SHORT DRUM

Greater drum flanges diameter for good wire rope capacity.

1. Shorter drum 256 mm [10,1 in]
2. Greater drum flanges  $\varnothing$  508 mm [20,0 in]
3. Larger drum barrel  $\varnothing$  220 mm [8,7 in]



# EPHC FNX2 OVERALL DIMENSIONS

1. Shorter drum 256 mm [10,1 in]
2. Greater drum flanges dia. 508 mm [20,0 in]
3. Larger drum barrel dia. 220 mm [8,7 in]

## Winch overall dimensions reduced

1042 mm [41,0 in] EPHC 20000FNX2 - EPHC 22500FNX2

1048 mm [41,3 in] EPHC 25000FNX2

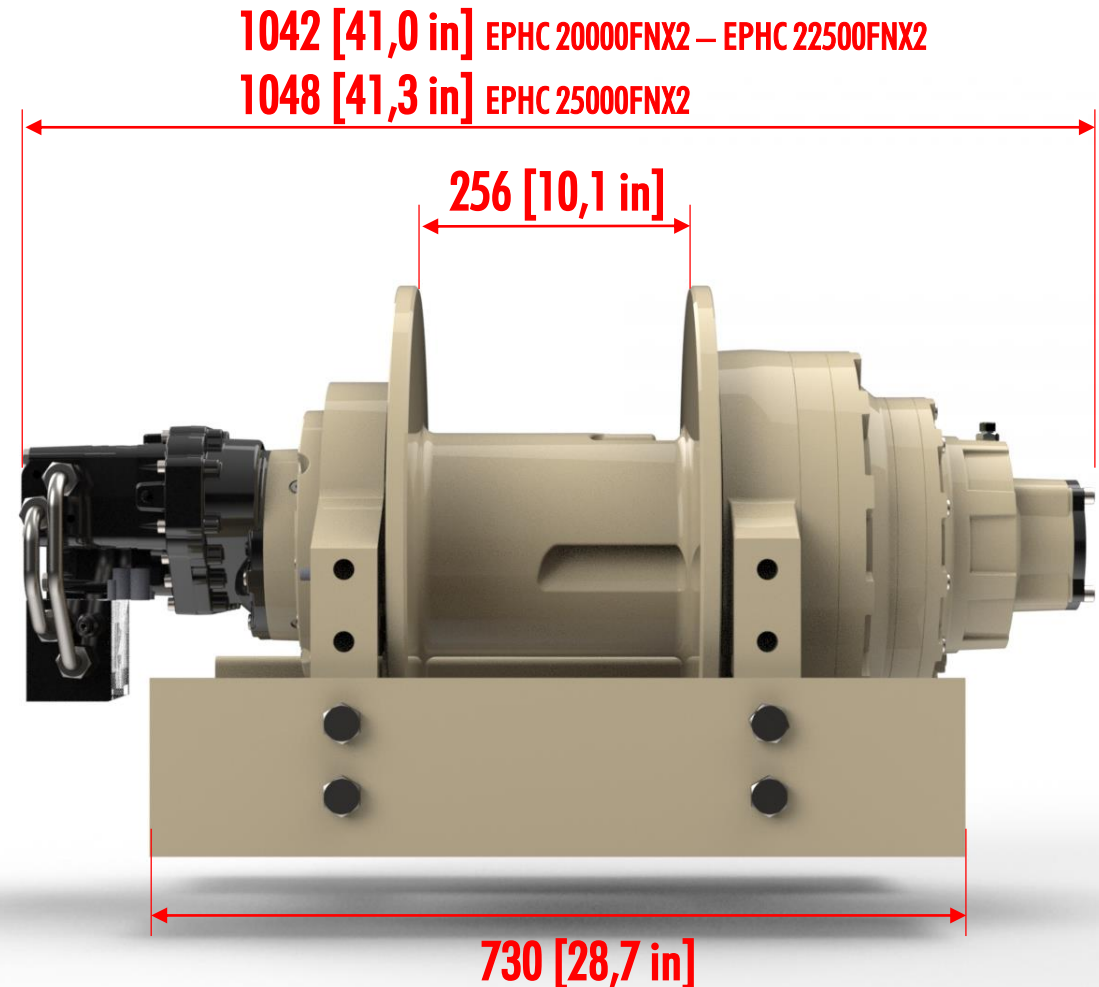
## Good rope capacity

Max. wire rope capacity (EN 14492-1)

52 M. [171 Ft.] dia. 22 mm [7/8"]

50 M. [164 Ft.] dia. 24 mm [0,94"]

Standard base mounting angles 730 mm [28,7 in]

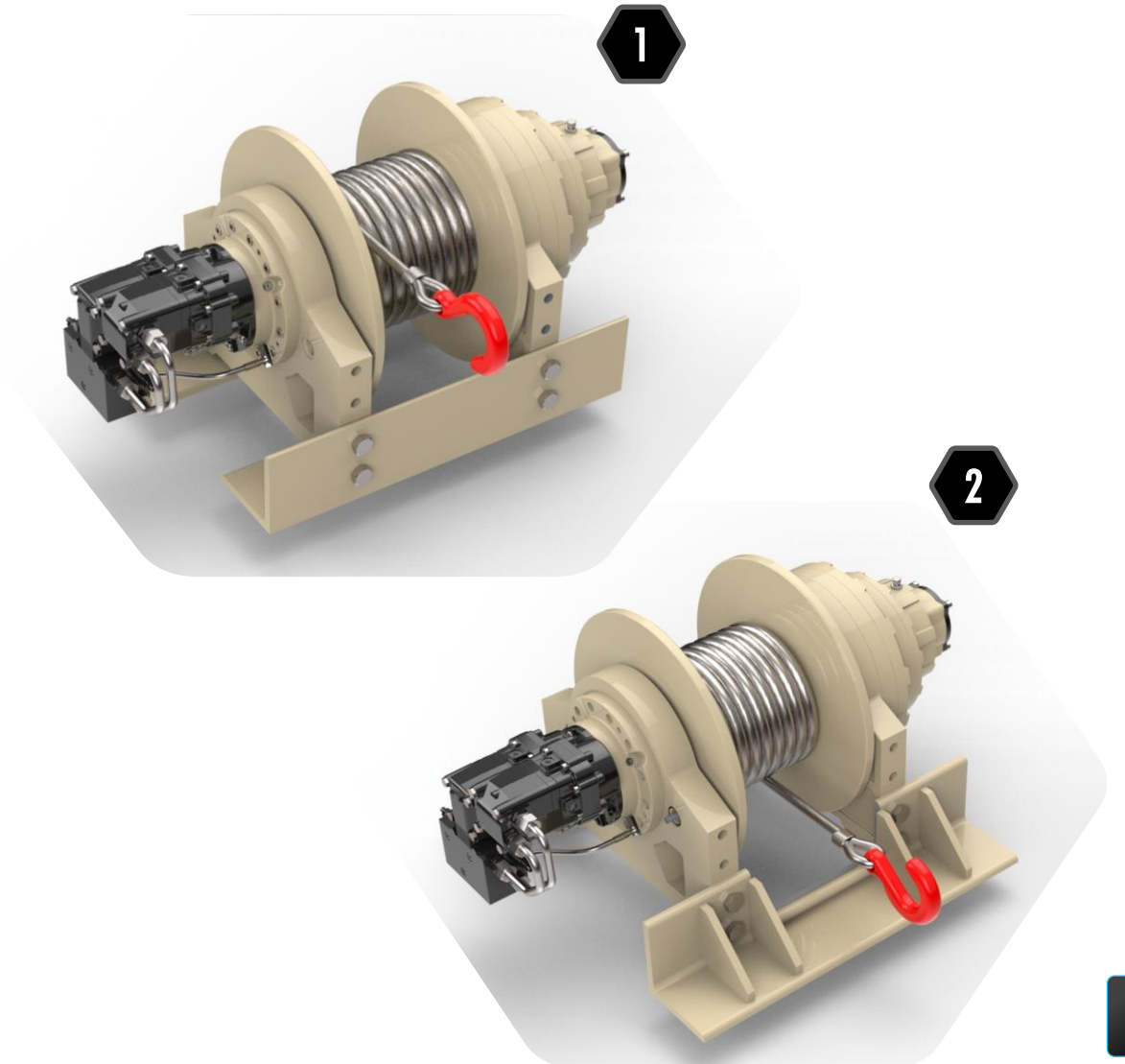


# WINCH BASE MOUNTING ANGLES OPTIONS

1. Rope over drum winding

2. Rope under drum winding

Winch available with two different standard base mounting angles options, according to the rope winding.



# MODELS AND TECHNICAL DATA

## DOUBLE SPEED

Winch Model	Pulling capacity Kgs. [Lbs.]	Hydraulic motor [M]	Drum barrel dia. MM [In.]	Drum size MM [In.]	Working pressure Bar [Psi]	Speed line bottom layer M./Min. [In./Ft.]	Speed line top layer M./Min. [In./Ft.]	Wire rope dia. EN 14492-1 MM [In.]	Max. rope capacity EN 14492-1 M. (Ft.)
EPHC 20000FNX2	20.000 [44,092]	[HM1]	220 [8,7]	256 [10,1]	180 [2,611]	10,7 [35,1]	18,4 [60,4]	22 [- -]	52 [171,0]
		[HM1 + HM2]			195 [2,828]	5,0 [16,4]	9,0 [29,5]	24 [- -]	50 [164,0]
EPHC 22500FNX2	22.500 [49,604]	[HM1]	220 [8,7]	256 [10,1]	180 [2,611]	9,0 [29,5]	16,1 [52,8]	22 [- -]	52 [171,0]
		[HM1 + HM2]			195 [2,828]	4,5 [15,0]	8,1 [26,6]	24 [- -]	50 [164,0]
EPHC 25000FNX2	25.000 [55,116]	[HM1]	220 [8,7]	256 [10,1]	180 [2,611]	9,0 [29,5]	16,1 [52,8]	22 [- -]	52 [171,0]
		[HM1 + HM2]			210 [3,046]	4,5 [15,0]	8,1 [26,6]	24 [- -]	50 [164,0]

HM1 = ONE hydraulic motor

HM1 + HM2 = TWO hydraulic motors

**Note: standard base mounting angles 730 mm [28,7 In.]**