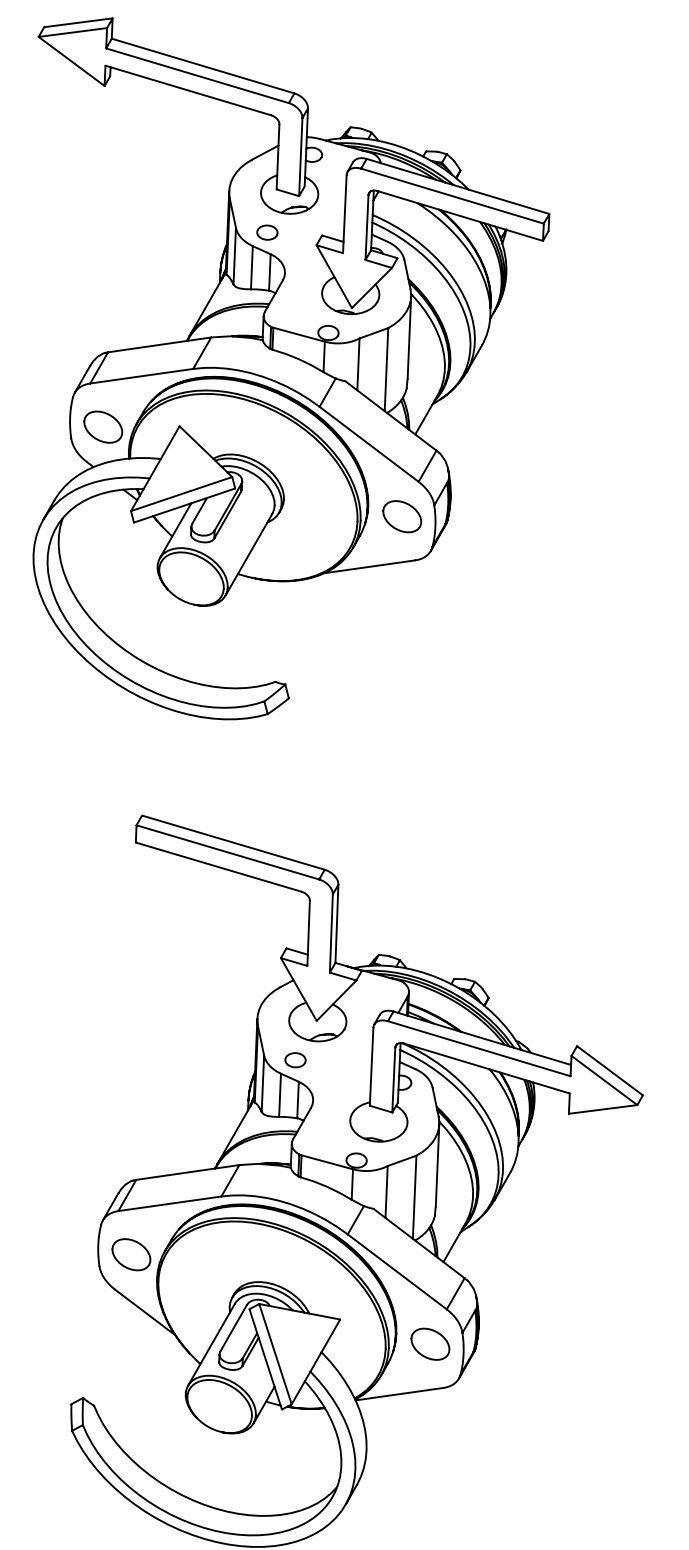
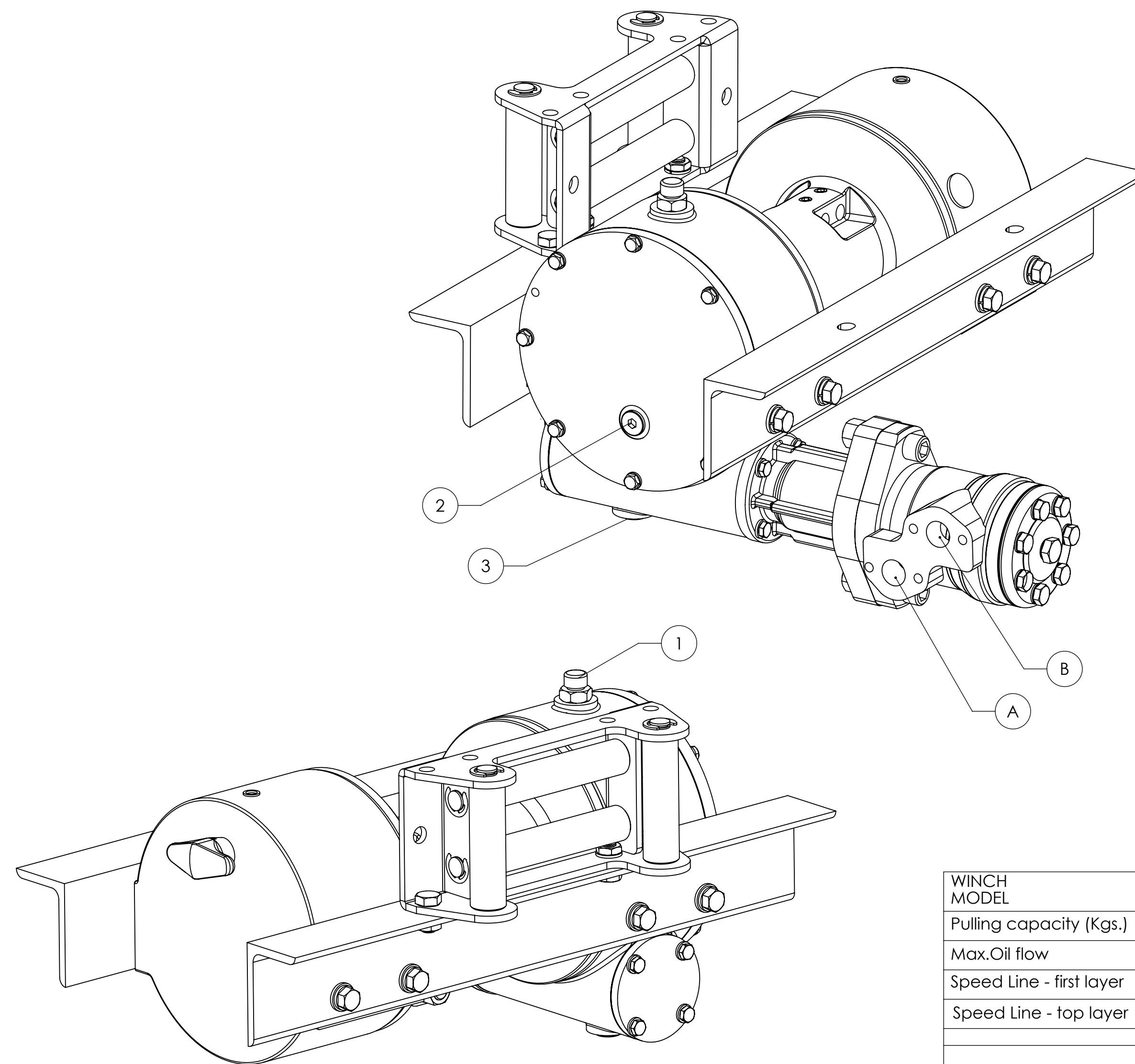
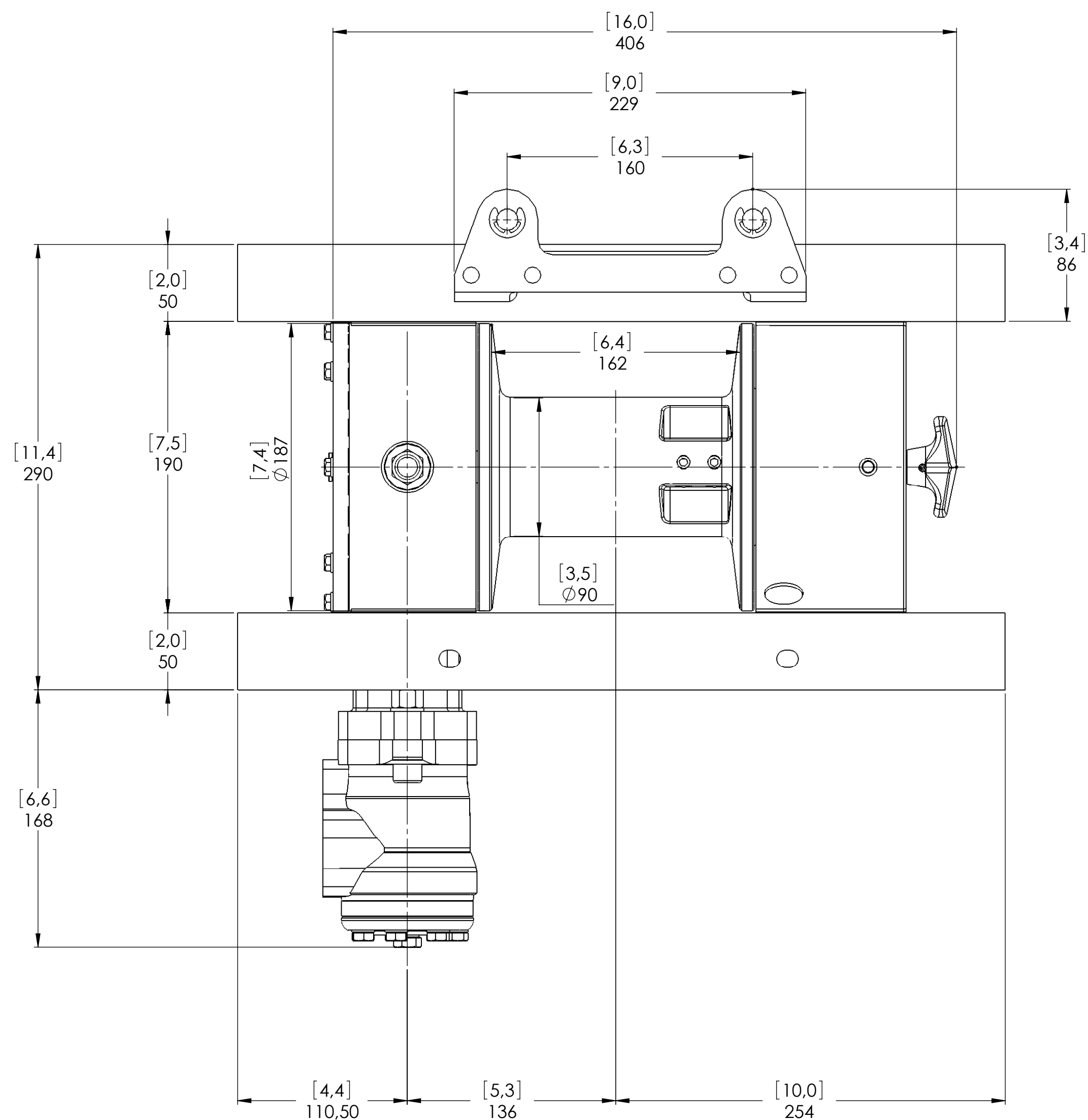
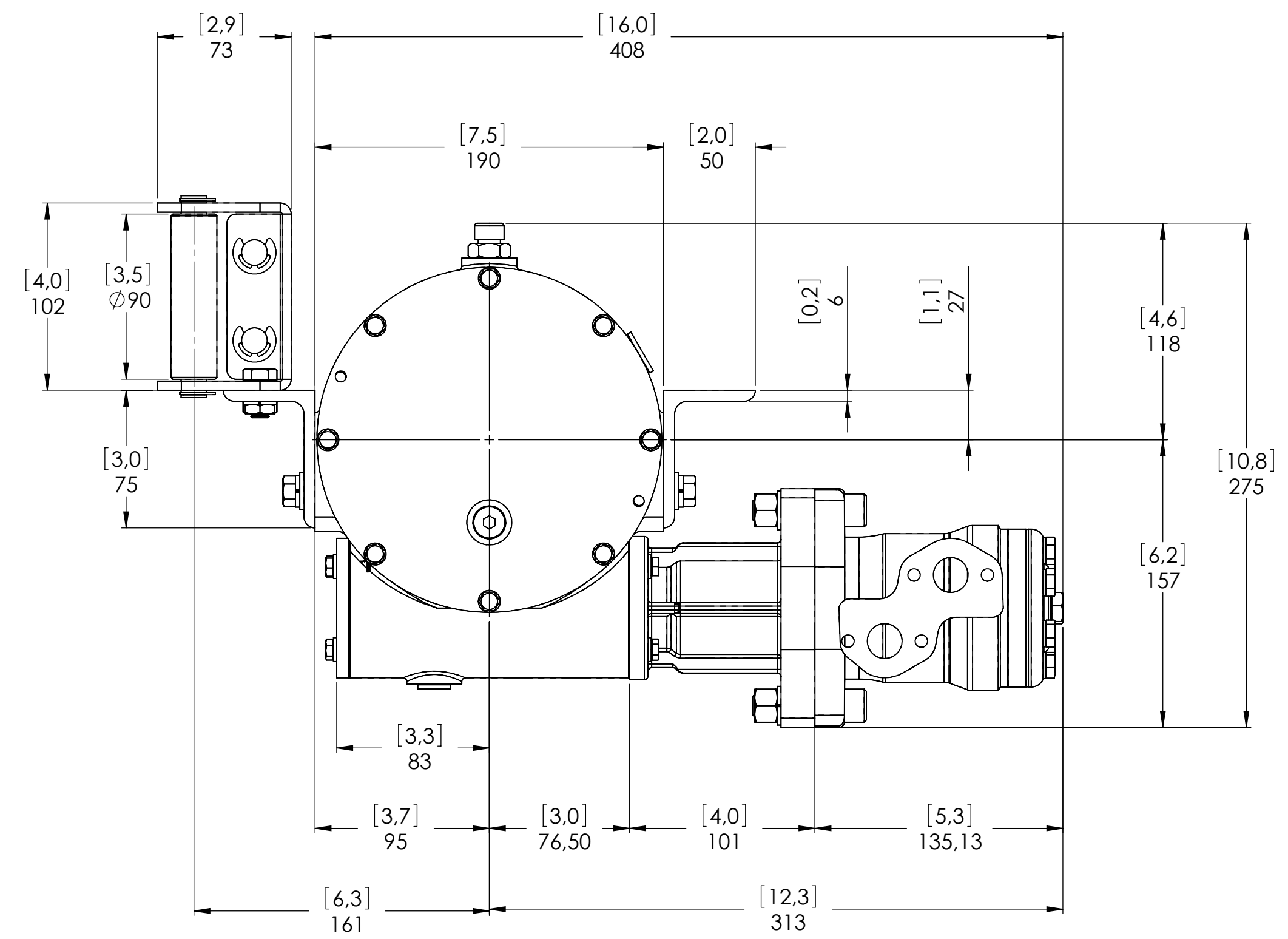
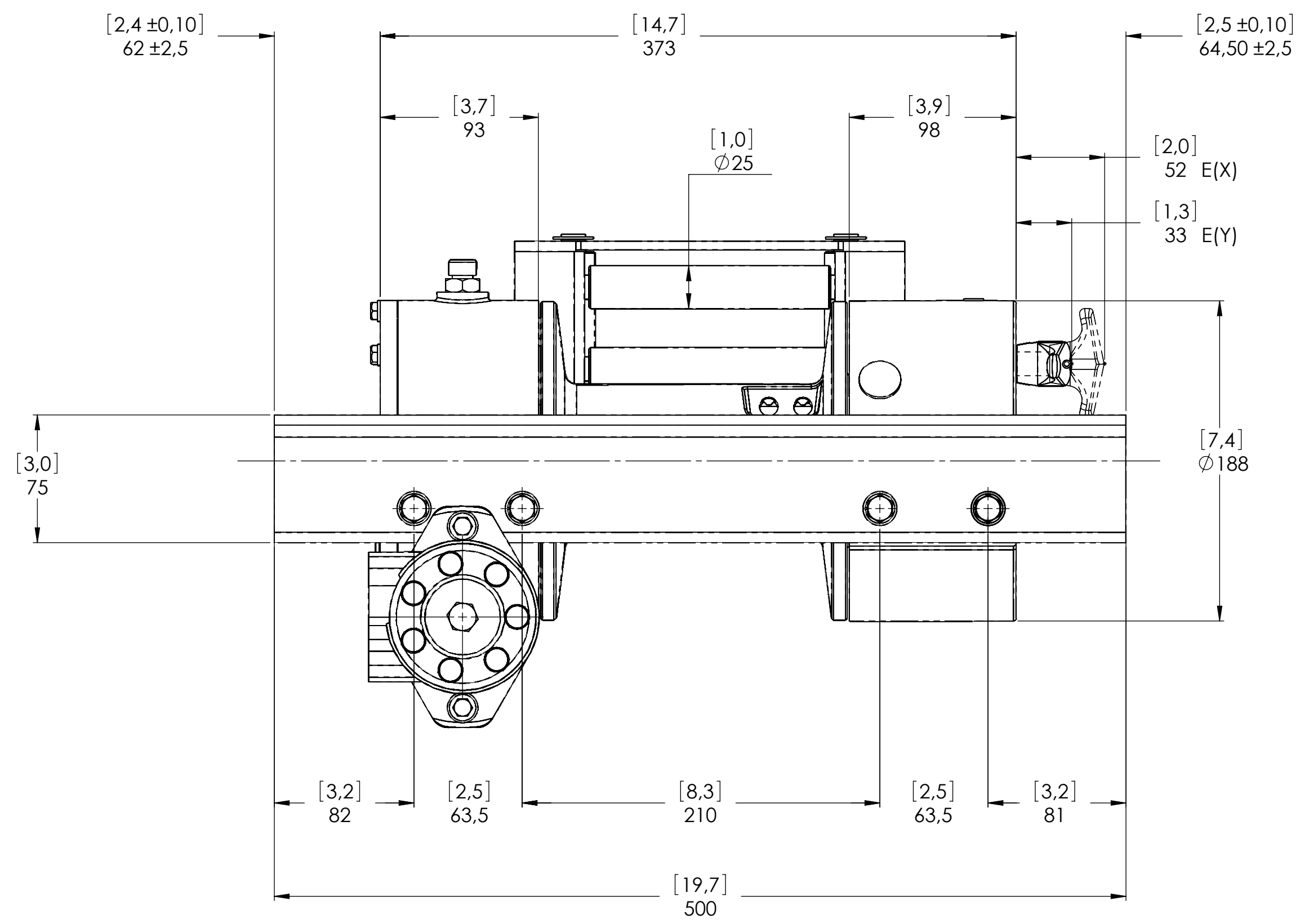
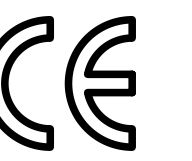


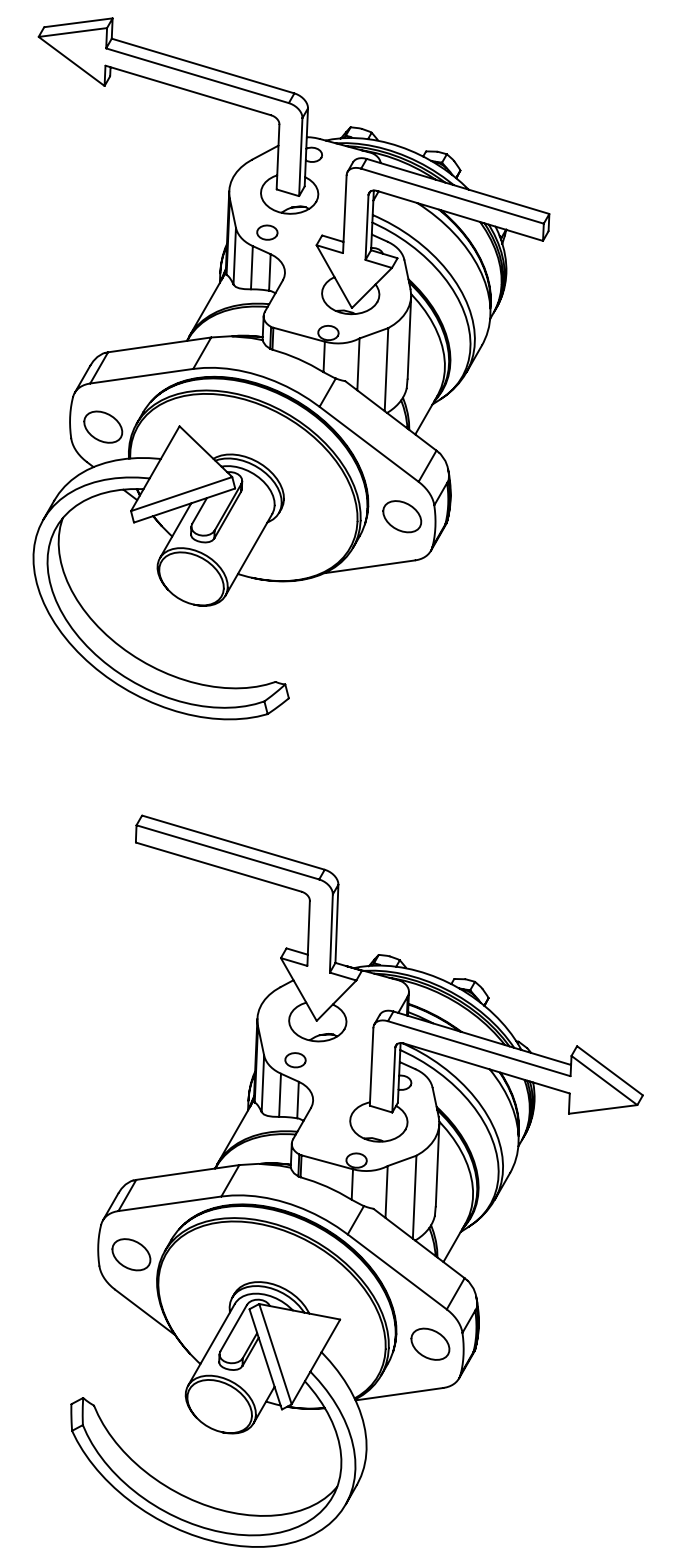
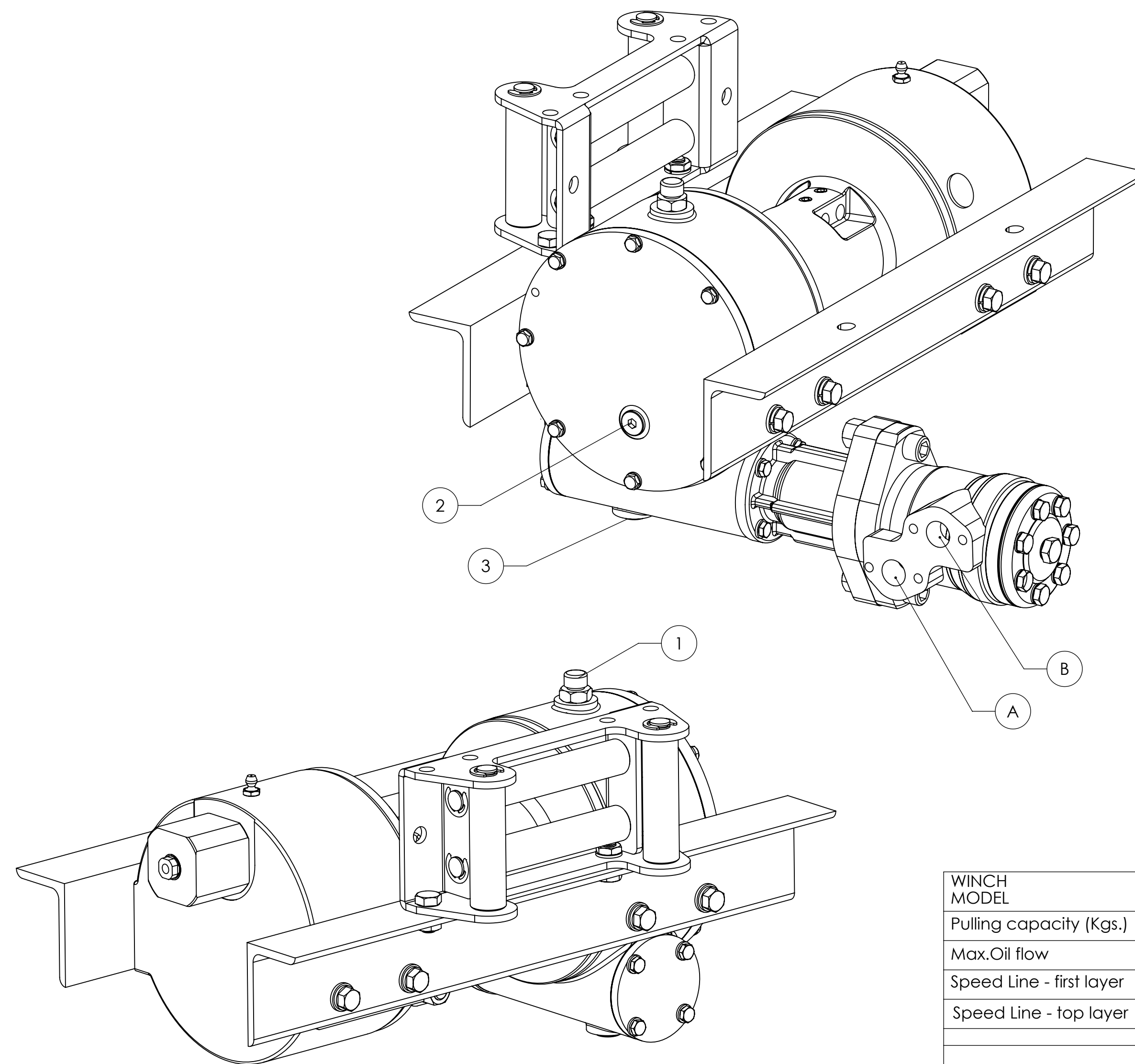
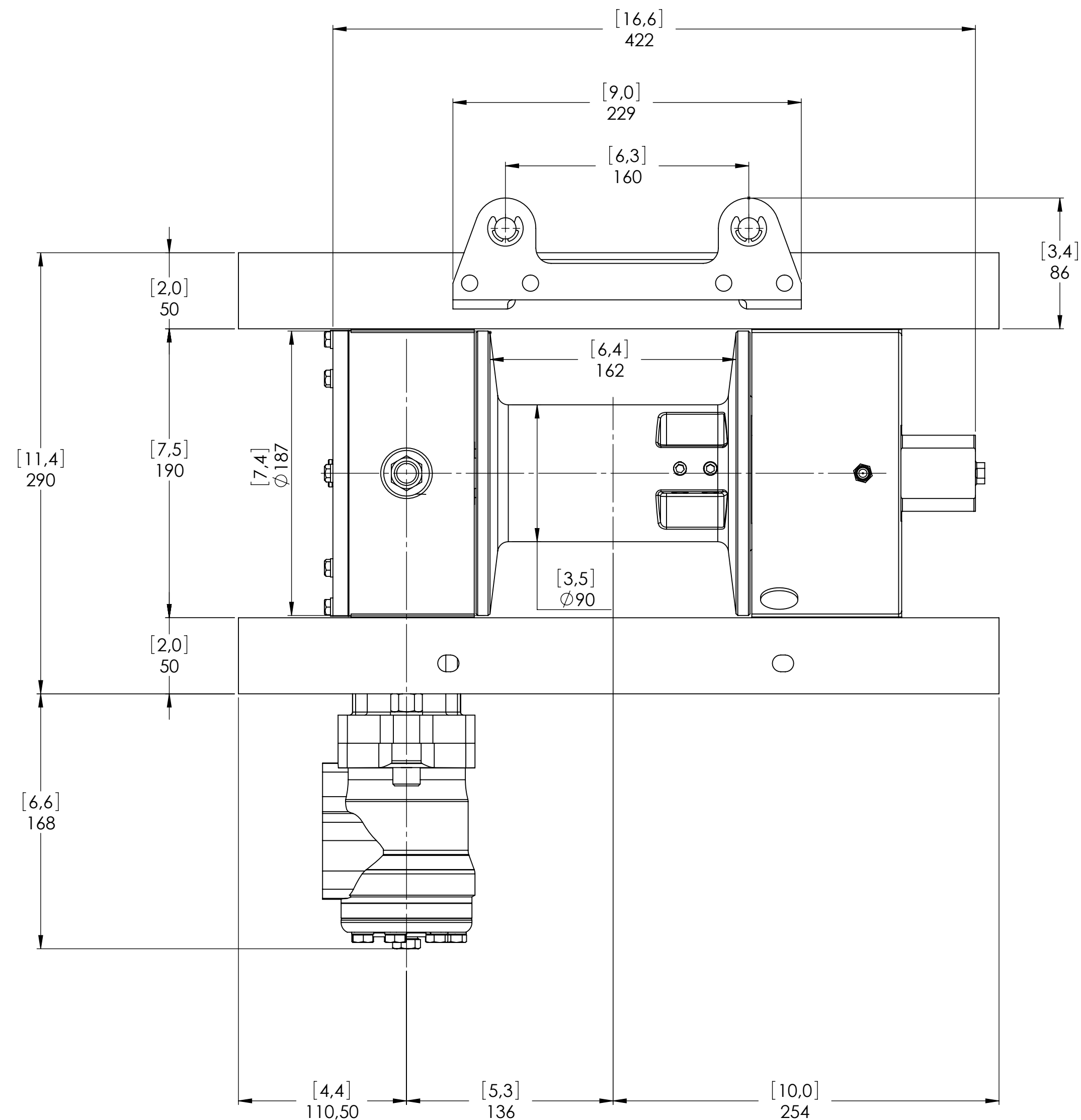
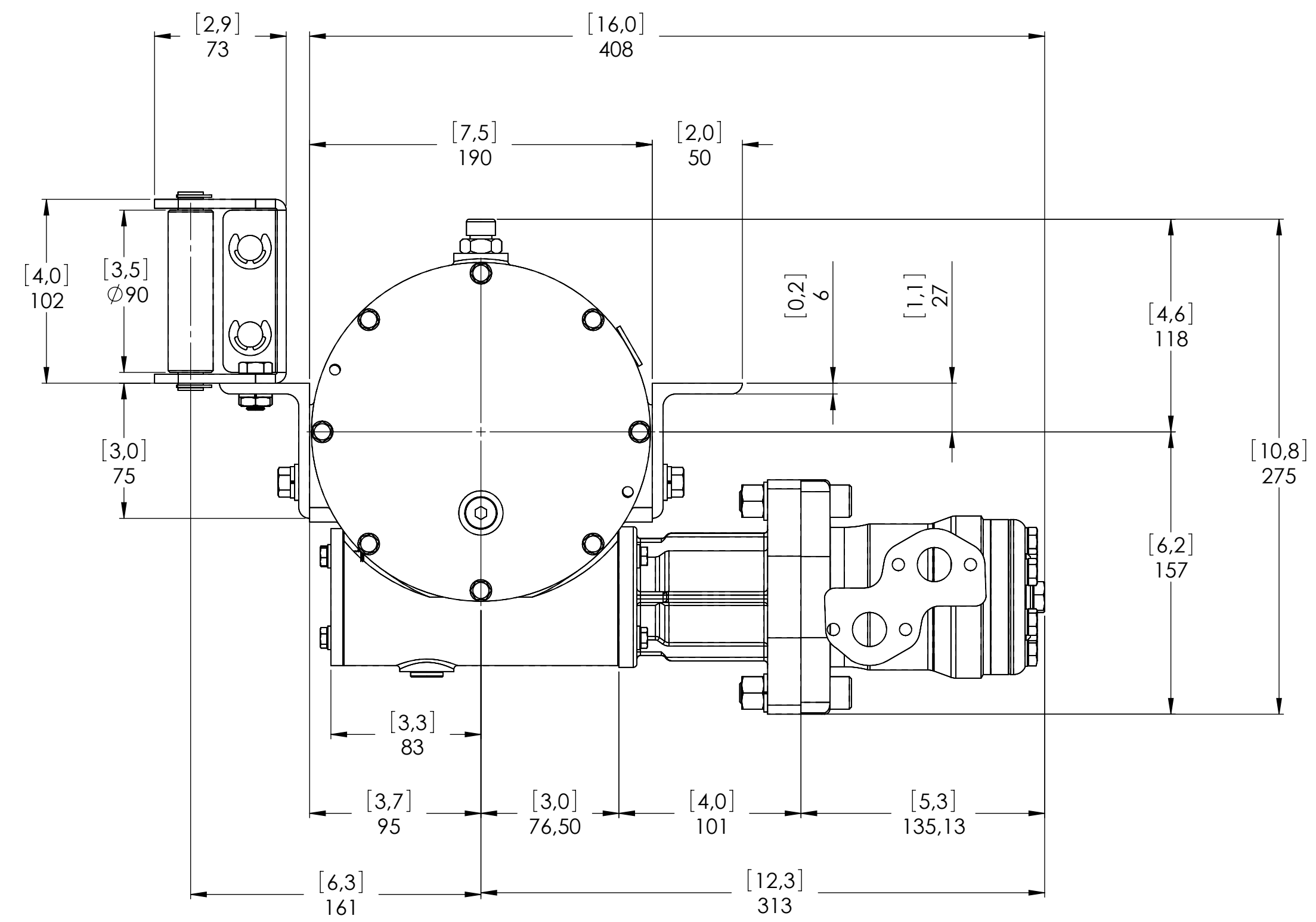
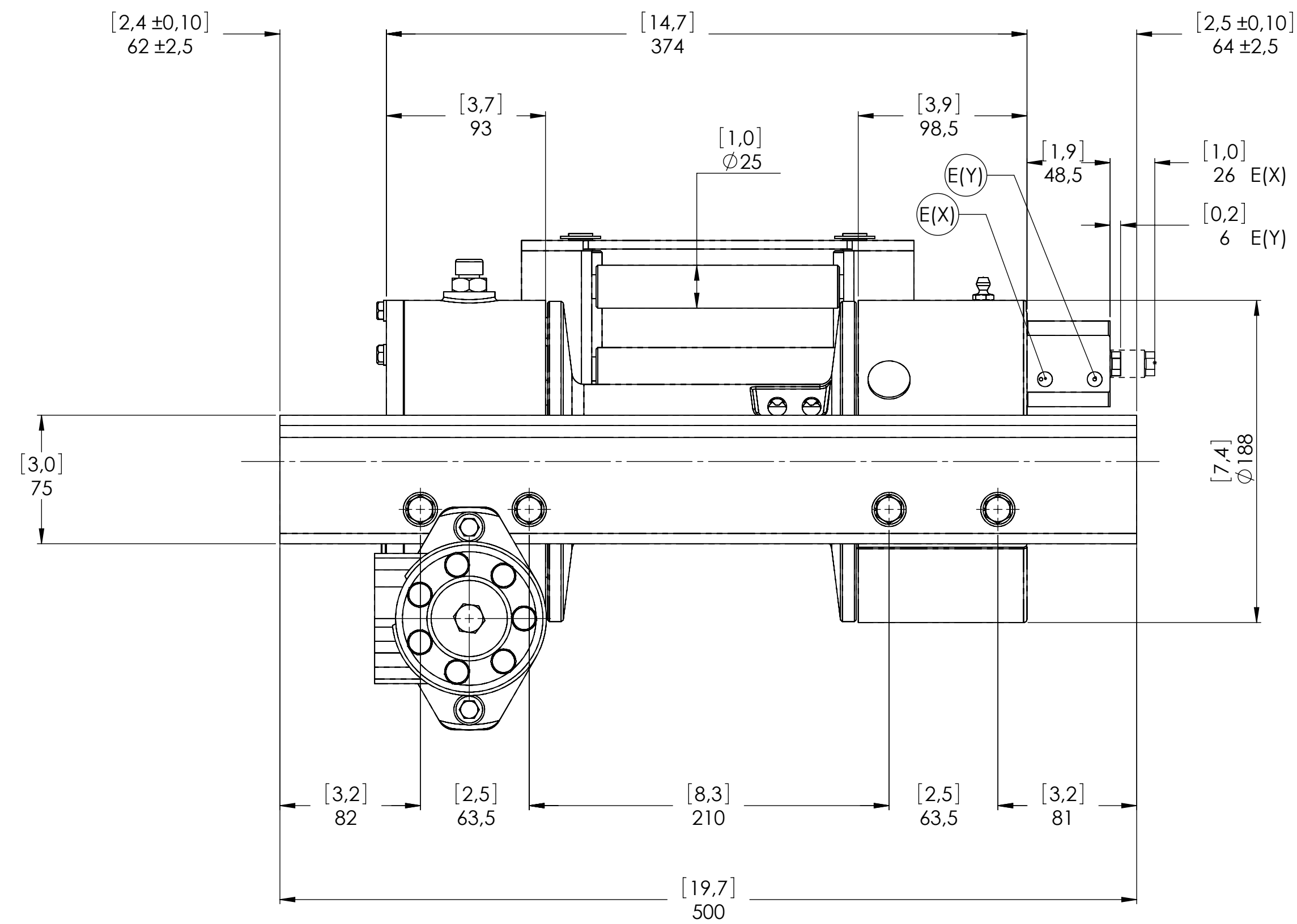
Machinery Directive 2006/42/CE
EN 14492-1



WINCH MODEL		JHC	WINCH GROUP	WORM GEAR	PLUGS
Pulling capacity (Kgs.)	2700		Date	Modification	1.Fill 3/8"G
Max.Oil flow	40 Lt./Min.				2.Level 3/8"G
Speed Line - first layer	4,9 Mt./Min.				3.Drain 3/8"G
Speed Line - top layer	8,1 Mt./Min.				
DANGEROUS: Do not use winch to lift support or transport personnel.					SCALE 1:2.5
					WEIGHTS
Gear ratio 46:1 Orbital hydr. motor 50 cc Working pressure 130 Bar Drum size 162 mm Drum clutch Manual					Winch (without oil) 30 Kgs. Roller fairlead 2,3 Kgs. Heavy-duty roller fairlead ---- Rope tensioner ----
Funo - Bologna (Italy) www.vimeindustrial.com The Quality is Transparent					DATA 09/11/2010 CODE JHC27D50G

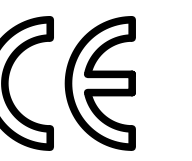


Machinery Directive 2006/42/CE
EN 14492-1

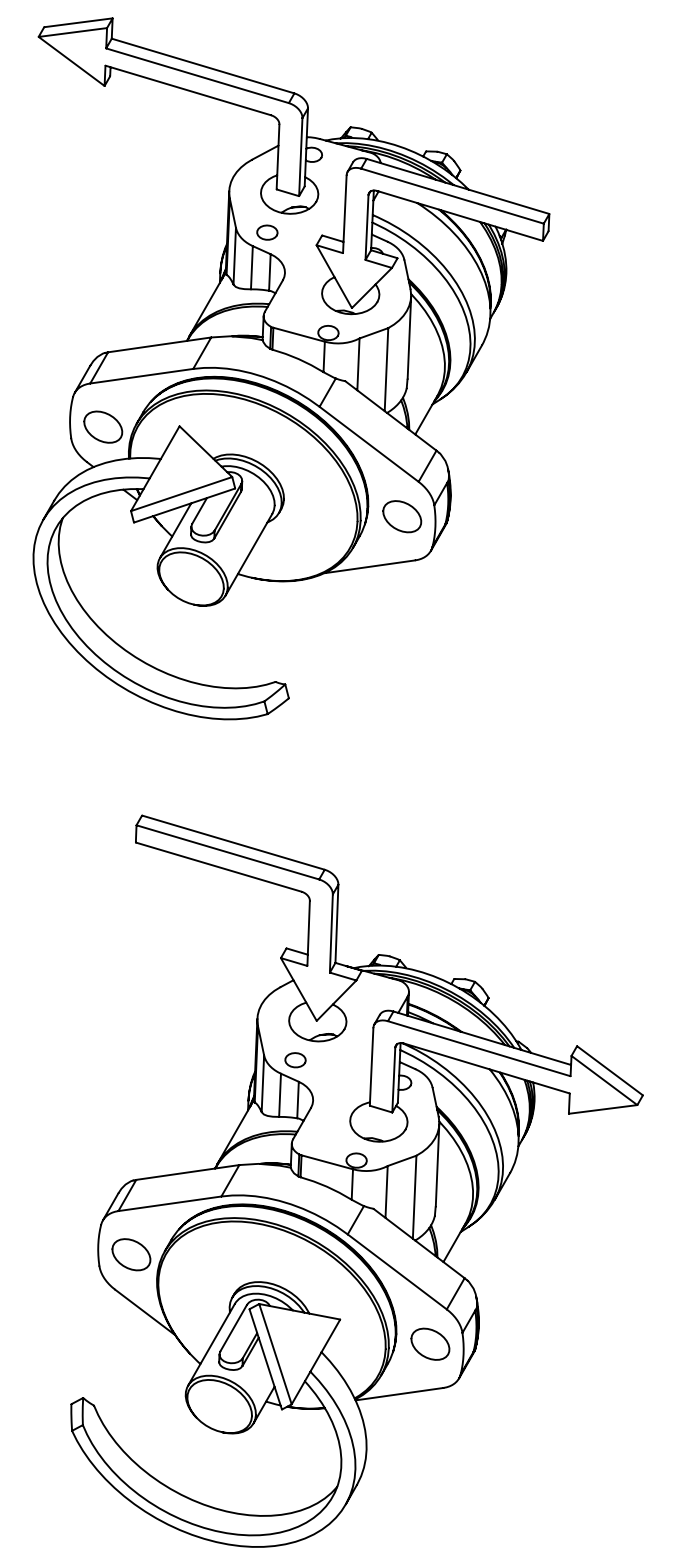
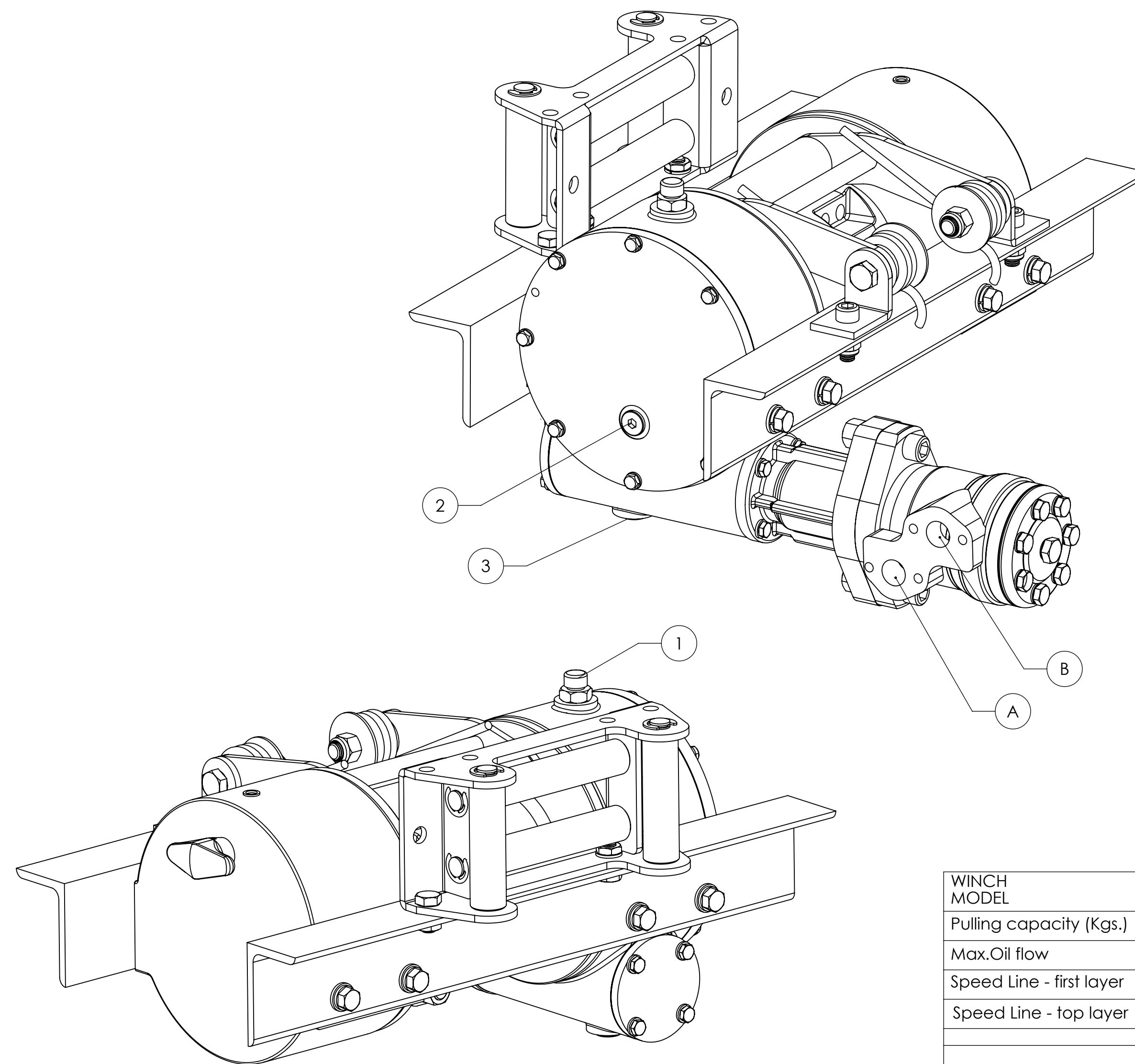
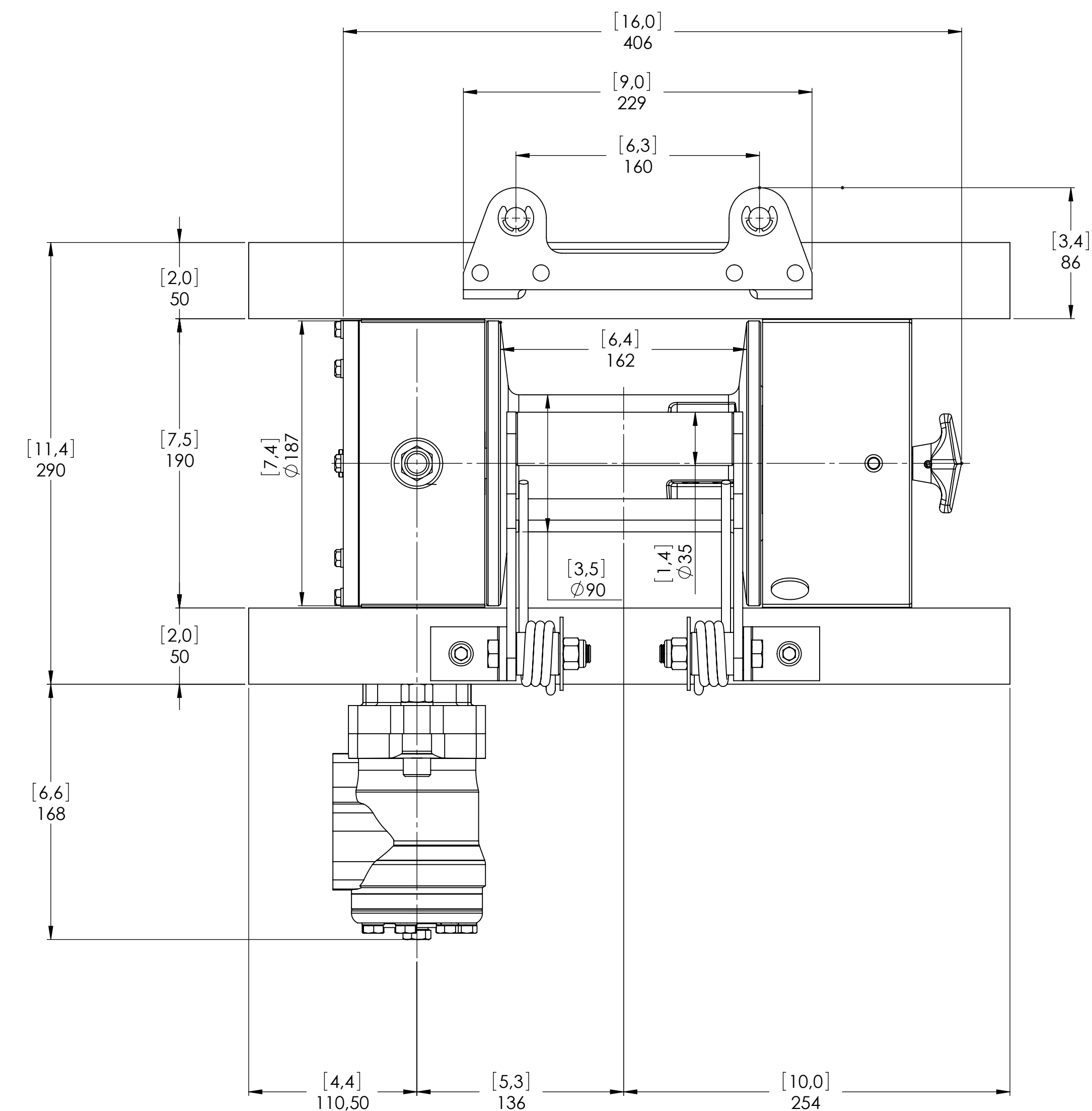
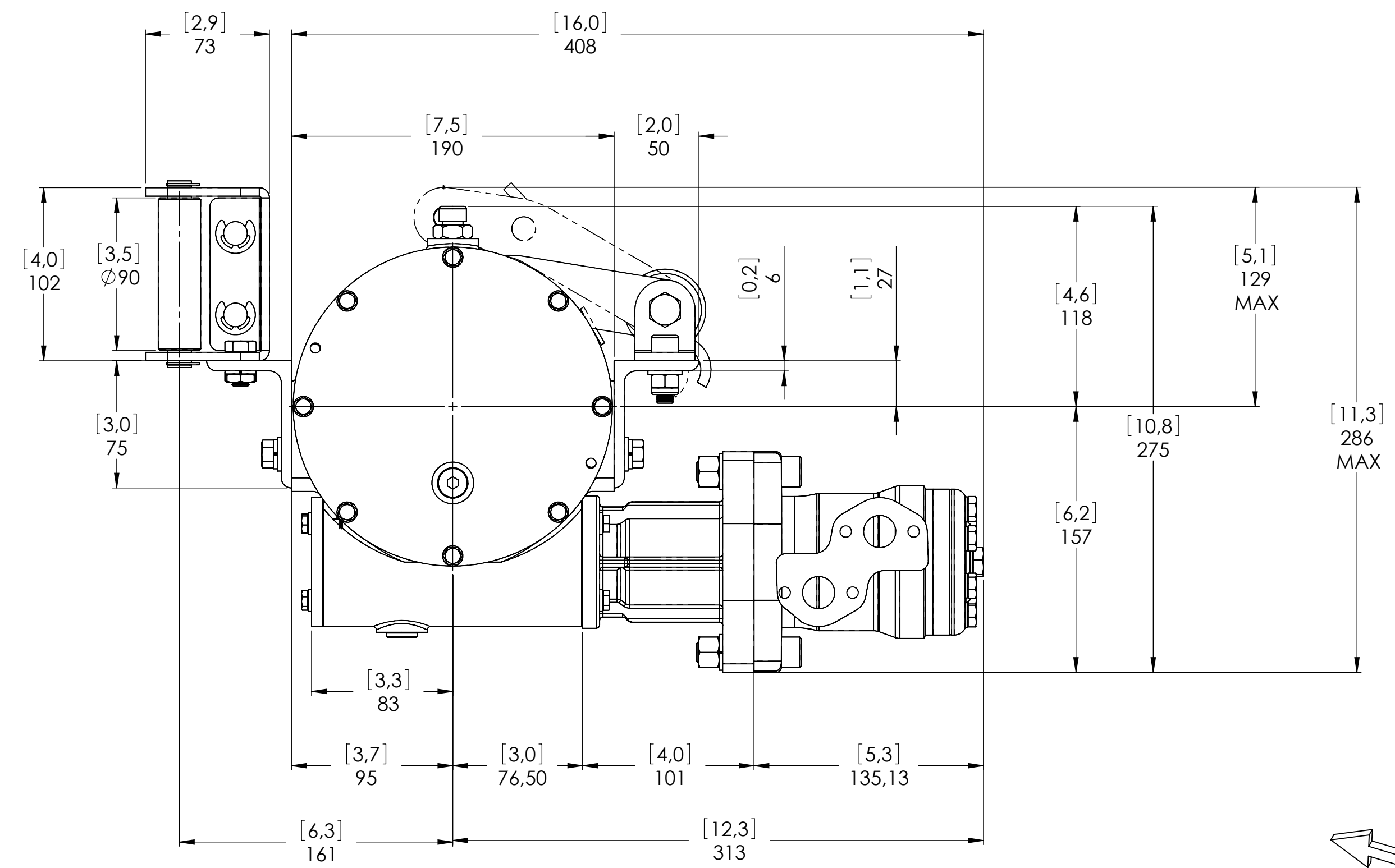
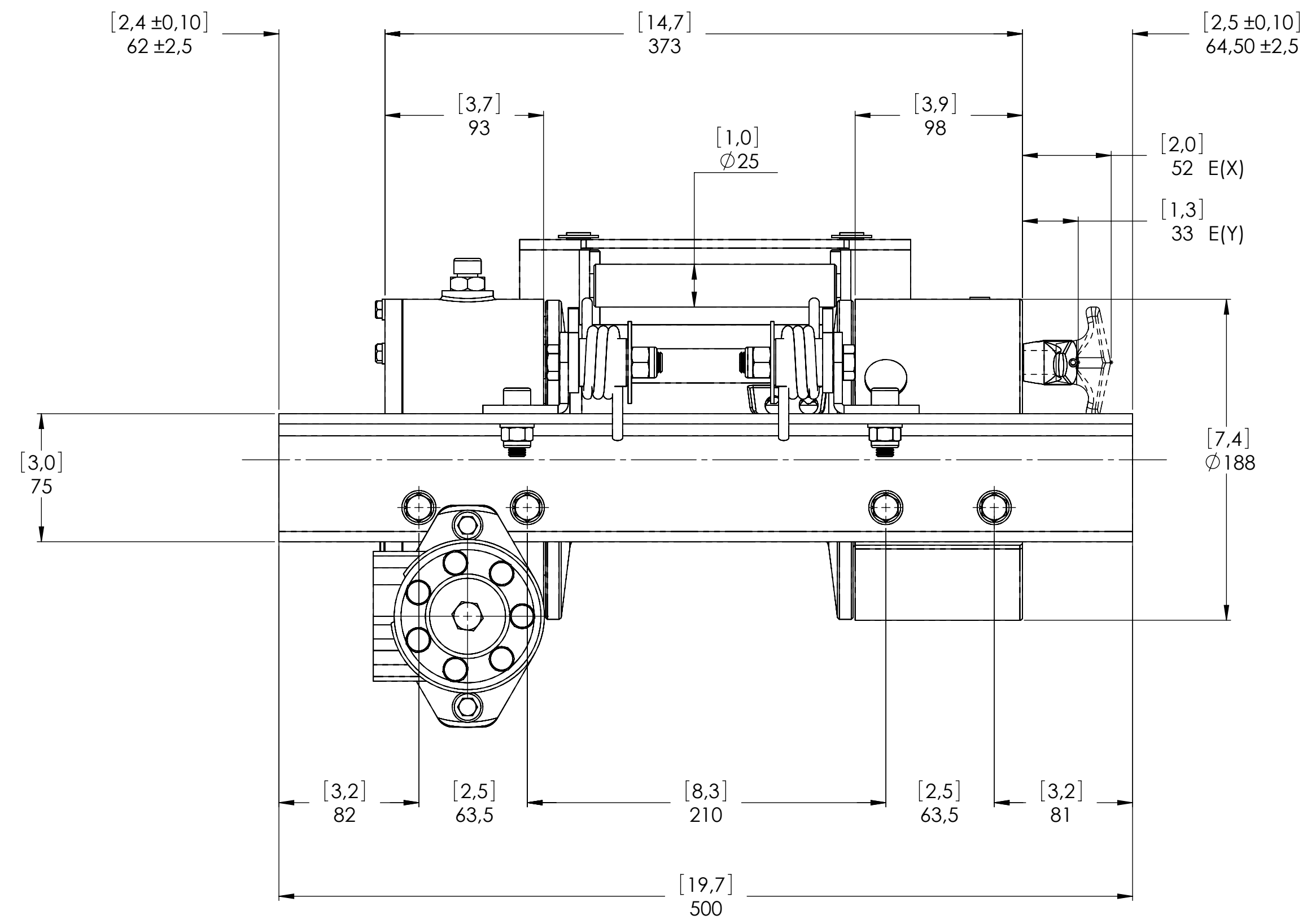


WINCH MODEL		JHC	WINCH GROUP	WORM GEAR	PLUGS	
Pulling capacity (Kgs.)	2700	Date	Modification	1.Fill	3/8"G	
Max.Oil flow	40 Lt./Min.			2.Level	3/8"G	
Speed Line - first layer	4,9 Mt./Min.			3.Drain	3/8"G	
Speed Line - top layer	8,1 Mt./Min.	DANGEROUS: Do not use winch to lift support or transport personnel.			SCALE	1:2.5
		Gear ratio	46:1	WEIGHTS		
Funo - Bologna (Italy) www.vimeindustrial.com		Orbital hydr. motor	50 cc	Winch (without oil)	30 Kgs.	
The Quality is Transparent		Working pressure	130 Bar	Roller fairlead	2,3 Kgs.	
		Drum size	162 mm	Heavy-duty roller fairlead	----	
		Drum clutch	Air-operated	Rope tensioner	----	
		VIME Industrial reserves the right to improve its products through changes in designed or materials as it may seem desirable without notice			CODE	JHC27D50AG
		DATA			9/11/2010	

CONNECTIONS	
A	1/2"G
B	1/2"G
E (X) DISENAGED	1/8"G
E (Y) ENGAGED	1/8"G



Machinery Directive 2006/42/CE
EN 14492-1



WINCH MODEL	JHC	WINCH GROUP	WORM GEAR	PLUGS
Pulling capacity (Kgs.)	2700	Date	Modification	1.Fill 3/8"G
Max.Oil flow	40 Lt./Min.			2.Level 3/8"G
Speed Line - first layer	4,9 Mt./Min.			3.Drain 3/8"G
Speed Line - top layer	8,1 Mt./Min.			
		DANGEROUS: Do not use winch to lift support or transport personnel.		SCALE 1:2.5
		Gear ratio	46:1	WEIGHTS
		Orbital hydr. motor	50 cc	Winch (without oil) 30 Kgs.
		Working pressure	130 Bar	Roller fairlead 2,3 Kgs.
		Drum size	162 mm	Heavy-duty roller fairlead -----
		Drum clutch	Manual	Rope tensioner 1,8 Kgs.
				CODE JHC27D50GP



Funo - Bologna (Italy)
www.vimeindustrial.com

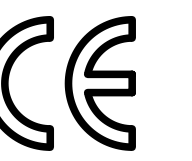
The Quality is Transparent

VIME Industrial reserves the right to improve its products through changes in designed or materials as it may seem desirable without notice

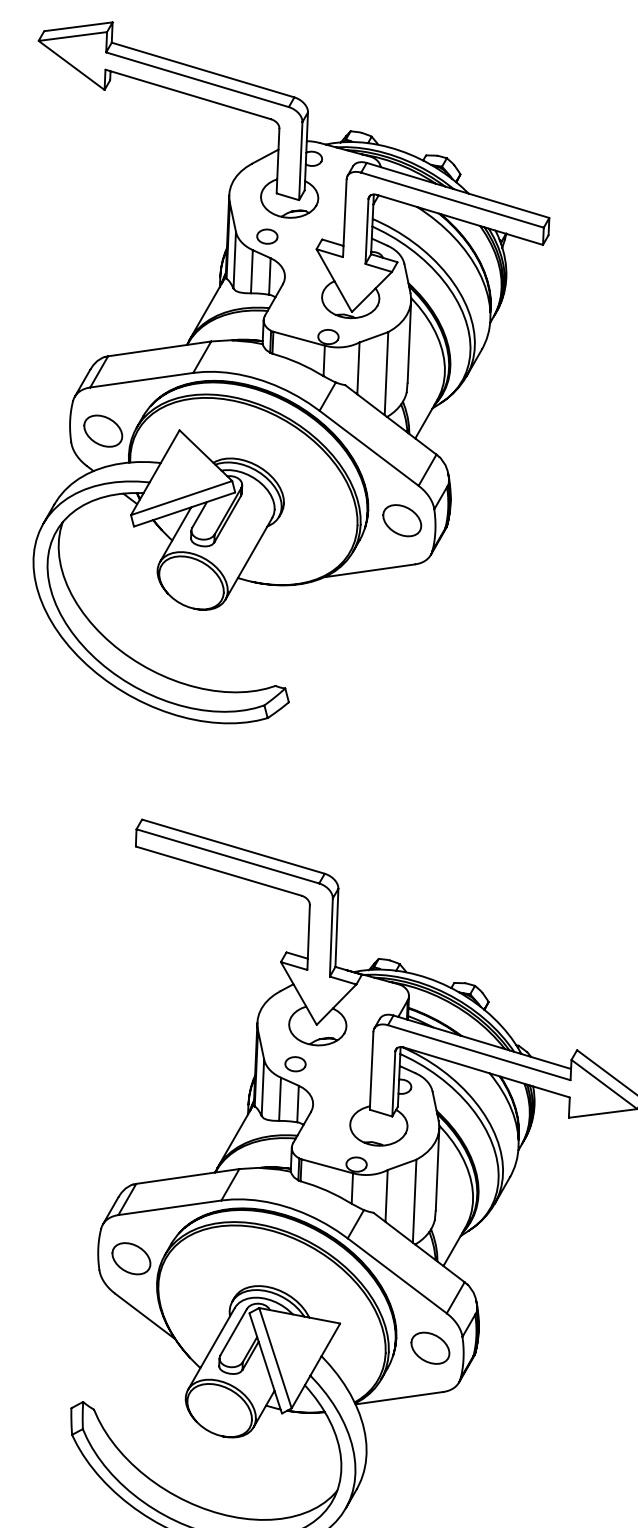
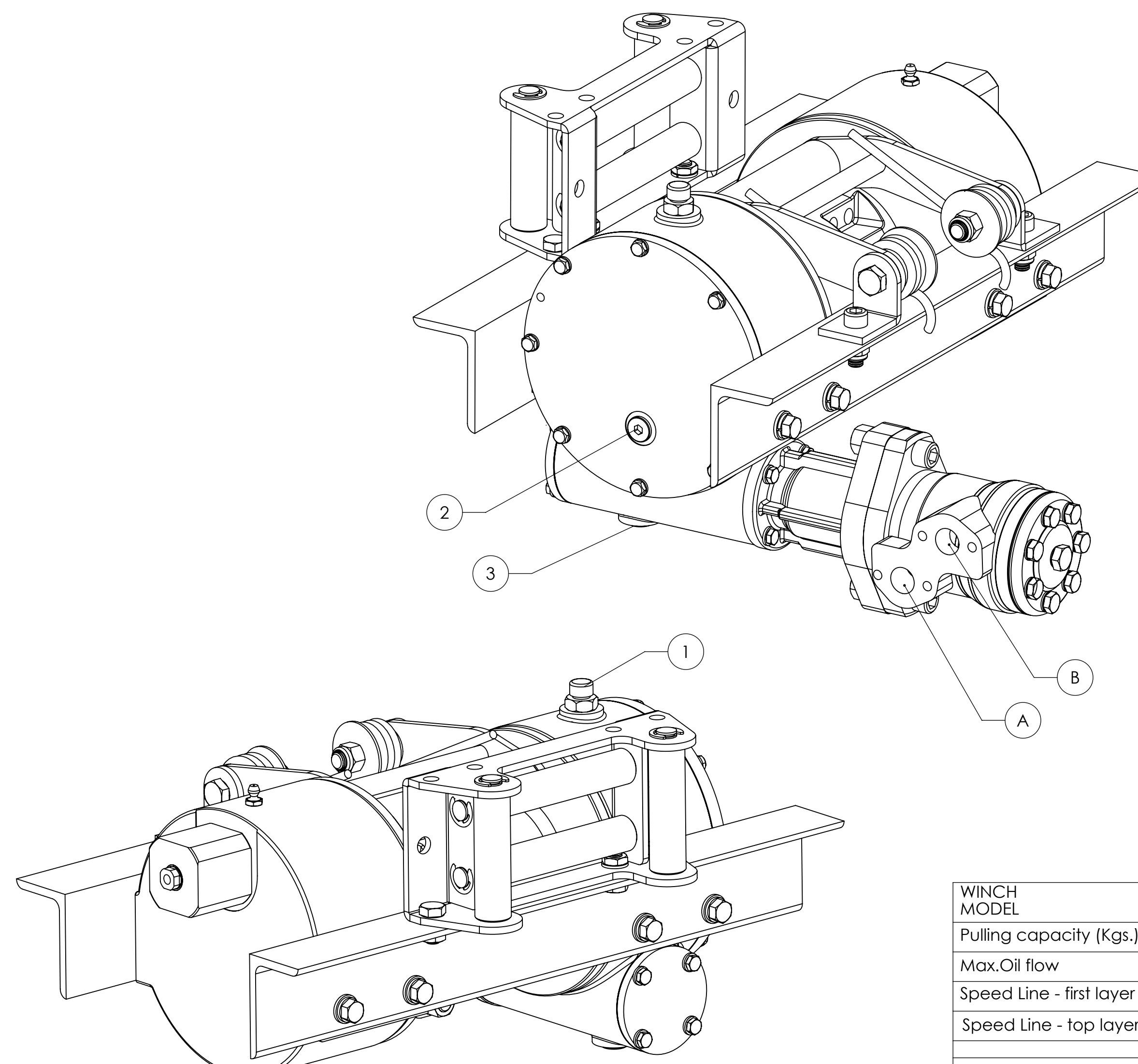
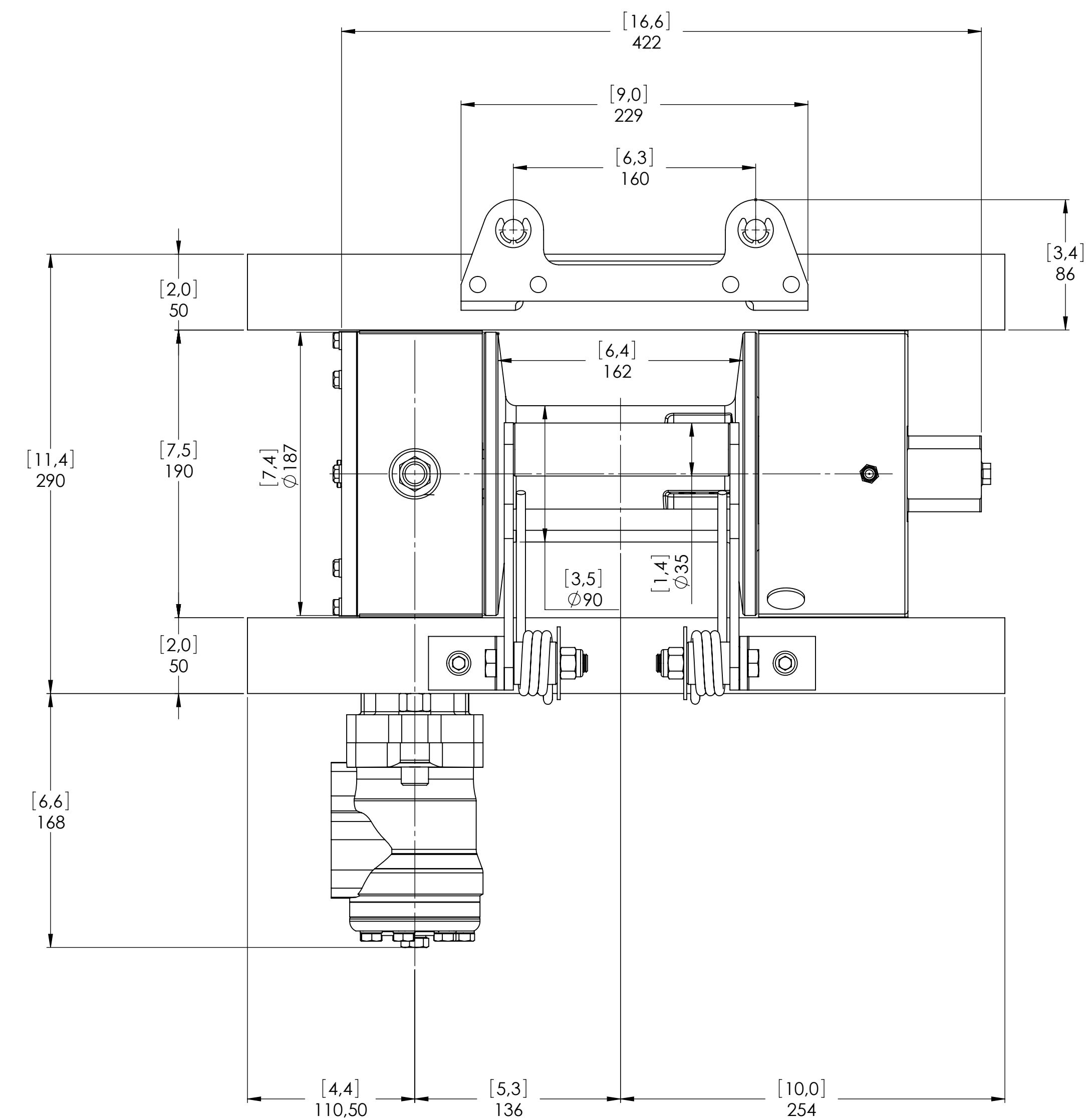
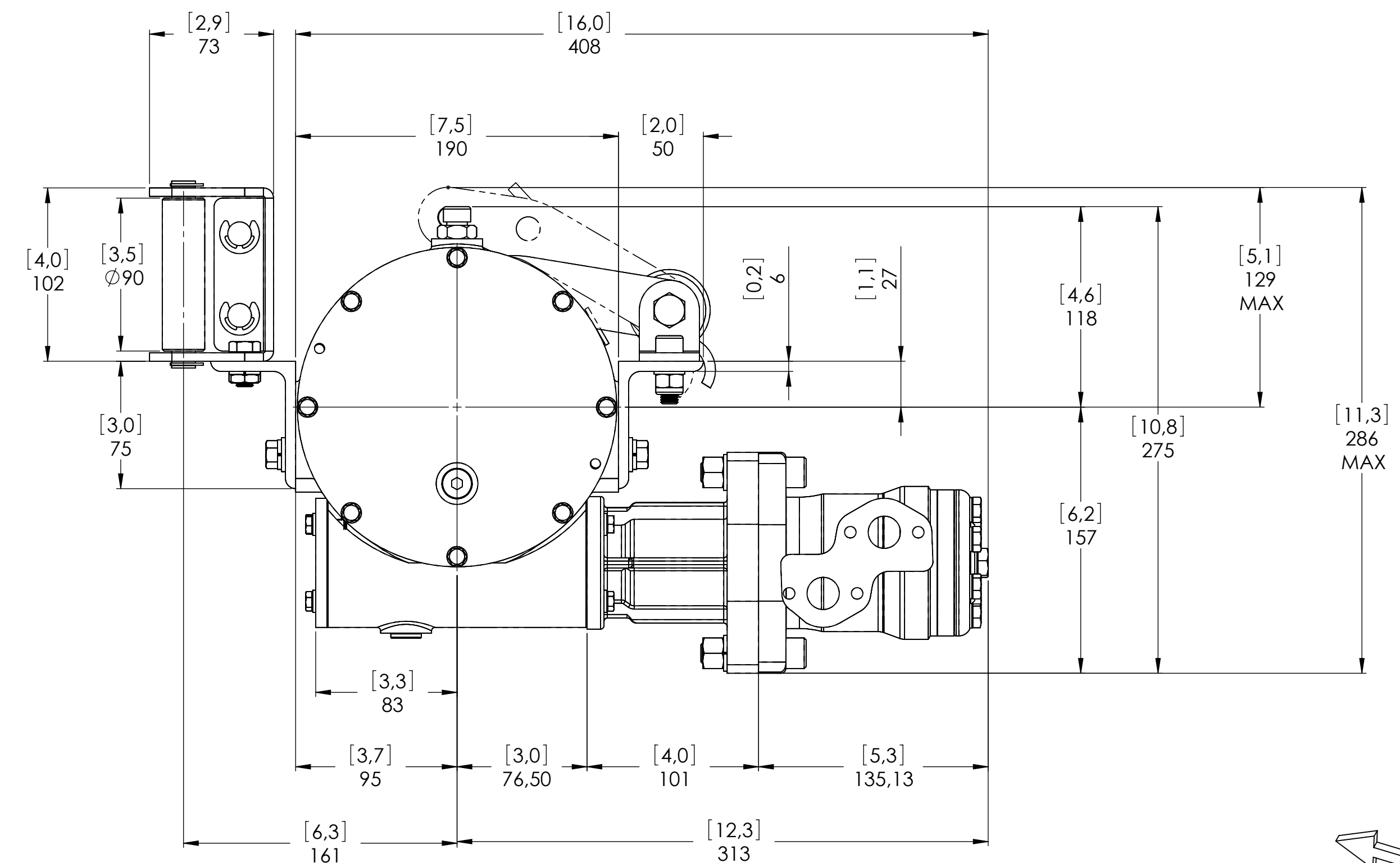
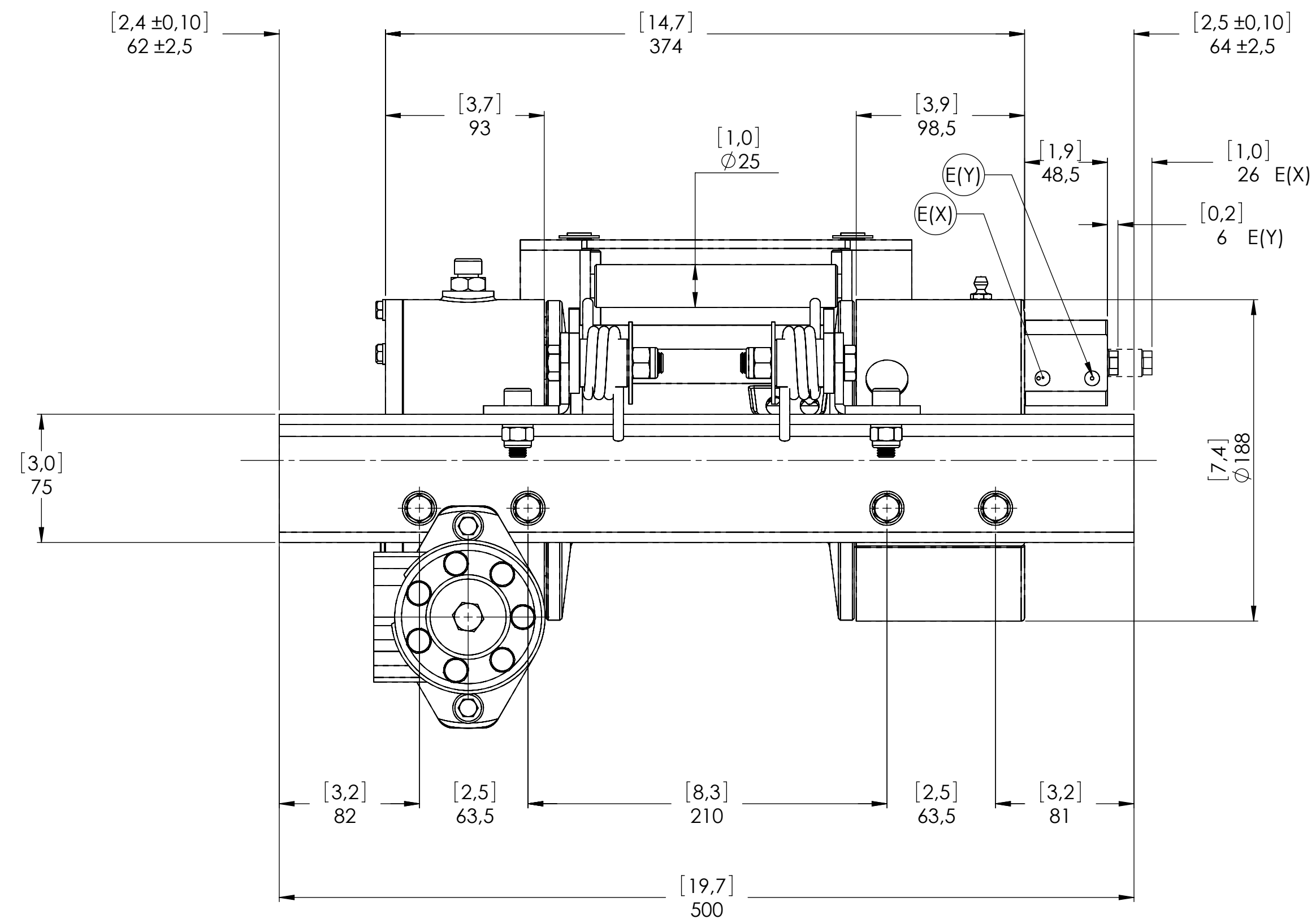
DATA
09/11/2010

CONNECTIONS	
A	1/2"G
B	1/2"G
E (X) DISENGAGED	-----
E (Y) ENGAGED	-----

SCALE	
SCALE	1:2.5
WEIGHTS	
Winch (without oil)	30 Kgs.
Roller fairlead	2,3 Kgs.
Heavy-duty roller fairlead	-----
Rope tensioner	1,8 Kgs.



Machinery Directive 2006/42/CE
EN 14492-1



WINCH MODEL		JHC	WINCH GROUP	WORM GEAR	PLUGS
Pulling capacity (Kgs.)	2700		Date	Modification	1.Fill 3/8"G
Max.Oil flow	40 Lt./Min.				2.Level 3/8"G
Speed Line - first layer	4,9 Mt./Min.				3.Drain 3/8"G
Speed Line - top layer	8,1 Mt./Min.				
					SCALE 1:2.5
					WEIGHTS
					Winch (without oil) 30 Kgs.
					Roller fairlead 2,3 Kgs.
					Heavy-duty roller fairlead -----
					Rope tensioner 1,8 Kgs.
					CODE JHC27D50AGP
					DATE 9/11/2010

VIME INDUSTRIAL
Funo - Bologna (Italy)
www.vimeindustrial.com

The Quality is Transparent

VIME Industrial reserves the right to improve its products through changes in designed or materials as it may seem desirable without notice

Gear ratio	46:1
Orbital hydr. motor	50 cc
Working pressure	130 Bar
Drum size	162 mm
Drum clutch	Air-operated

CONNECTIONS	
A	1/2"G
B	1/2"G
E (X) DISENAGED	1/8"G
E (Y) ENGAGED	1/8"G

1.4.3 JHC 2700 WINCH TECHNICAL DATA

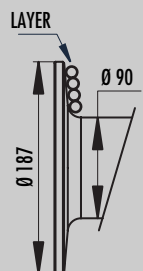
RATIO	WIRE ROPE SIZE [MM]	LAYER	LINE PULL [KGS]
46:1	8*	1	2.700
		2	2.320
		3	2.035
		4	1.815
		5	1.635
	10*	1	2.700
		2	2.250
		3	1.930
		4	1.690
		5	1.500

WIRE ROPE SIZE 8 MM	OIL SUPPLY	DRUM REVOLUTION [RPM]	LINE SPEED [MT/MIN]				
	[LT/MIN]		1	2	3	4	5
	20	6,6	2,0	2,4	2,7	3	3,4
	30	11,9	3,7	4,3	4,9	5,5	6,1
	40	15,9	4,9	5,7	6,5	7,3	8,1

WIRE ROPE SIZE 10 MM	OIL SUPPLY	DRUM REVOLUTION [RPM]	LINE SPEED [MT/MIN]				
	[LT/MIN]		1	2	3	4	5
	20	6,6	2,1	2,5	2,9	3,3	3,7
	30	11,9	3,8	4,5	5,3	6,0	6,8
	40	15,9	5,0	6,0	7,0	8,0	9,0

WIRE ROPE MIN. BREAKING LOAD EN 14492-1 [KGS]	5.400
---	-------

DRUM SIZE: JHC = 162 MM	LAYER	DRUM DIAMETER [MM]		WIRE ROPE ON LAYER [MT]		WIRE ROPE QUANTITY [MT]	
		8 MM	10 MM	8 MM	10 MM	8 MM	10 MM
		5	162	180	9,8	8,6	39,3
4	146	160	8,8	7,6	29,5	24,8	
3	130	140	7,9	6,7	20,7	17,2	
2	114	120	6,9	5,7	12,8	10,5	
1	98	100	5,9	4,8	5,9	4,8	
0	90	90	-	-	-	-	



WIRE ROPE CAPACITY [MT]		MAX. WIRE ROPE CAPACITY EN 14492-1 [MT]		MAX. WIRE ROPE CAPACITY [MT]	
8 MM	10 MM	8 MM	10 MM	8 MM	10 MM
30	25	39**	24**	50	33

DESCRIPTION	WEIGHT
	[KGS]
WINCH (WITHOUT CABLE)	30
ACCESSORY : ROLLERFAILREAD	2,3
ACCESSORY : CABLE TENSIONER	1,8

NOTES

Specifications are subject to change without notification and without incurring obligation. Specifications in this publication are theoretical and may vary depending on hydraulic system, environment, etc.

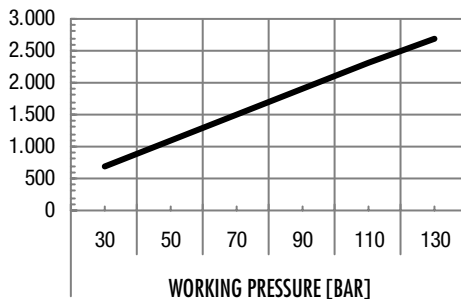
NOTES

*Wire rope size must be respected. Recommended wire rope min. tensile strength 2160 N/mm².
Wire rope minimum breaking load must be at least double of winch max. pulling capacity.

** Max. wire rope capacity according with EN 14492-1.

1.4.4 JHC 2700 WINCH PERFORMANCE CHARTS AT THE 1ST LAYER

LINE PULL-FIRST LAYER [KGS]



LINE SPEED [MT/MIN]

